

SANYO

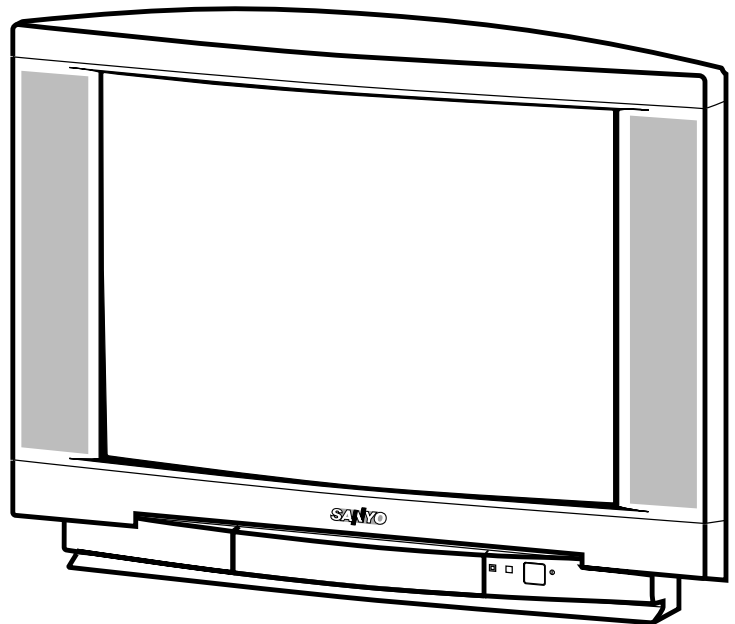
Colour Television Service Manual

CE21DN4-F

Model CE21DN4-F (FRANCE)

Service Ref. No. CE21DN4-F-01

PRODUCT CODE: 111339610
ORIGINAL VERSION: Chassis No. EB4-A



Give complete "SERVICE REF. NO." for parts order or servicing, it is shown on the rating sheet on the cabinet back of the TV set.

Note

This TV receiver will not work properly in foreign countries where the television transmission system and power source differ from the design specifications. Refer to the specifications for the design specifications

Contents

Safety precautions/Specifications	2
Block diagram	3
Circuit description	4-5
Service control adjustment	6-7
Circuit alignment	8
SIF alignment	9
Important notice	10
Cabinet Parts List	11
Electrical Parts List	12-23

SAFETY PRECAUTION

- 1: An isolation transformer should be connected in the power line between the receiver and the AC line when a service is performed on the primary of the converter transformer of the set.
- 2: Comply with all caution and safety-related notes provided on the cabinet back, inside the cabinet, on the chassis or the picture tube.
- 3: When replacing a chassis in the cabinet, always be certain that all the protective devices are installed properly, such as, control knobs, adjustment covers or shields, barriers, isolation resistor-capacitor networks etc. Before returning any television to the customer, the service technician must be sure that it is completely safe to operate without danger of electrical shock.

X-RADIATION PRECAUTION

The primary source of X-RADIATION in the television receiver is the picture tube. The picture tube is specially constructed to limit X-RADIATION emissions. For continued X-RADIATION protection, the replacement tube must be the same type as the original including suffix letter. Excessive high voltage may produce potentially hazardous X-RADIATION. To avoid such hazards, the high voltage must be maintained within specified limit. Refer to this service manual, high voltage adjustment for specific high voltage limit. If high voltage exceeds specified limits, take necessary corrective action. Carefully follow the instructions for +B1 volt power supply adjustment, and high voltage adjustment to maintain the high voltage within the specified limits.

PRODUCT SAFETY NOTICE

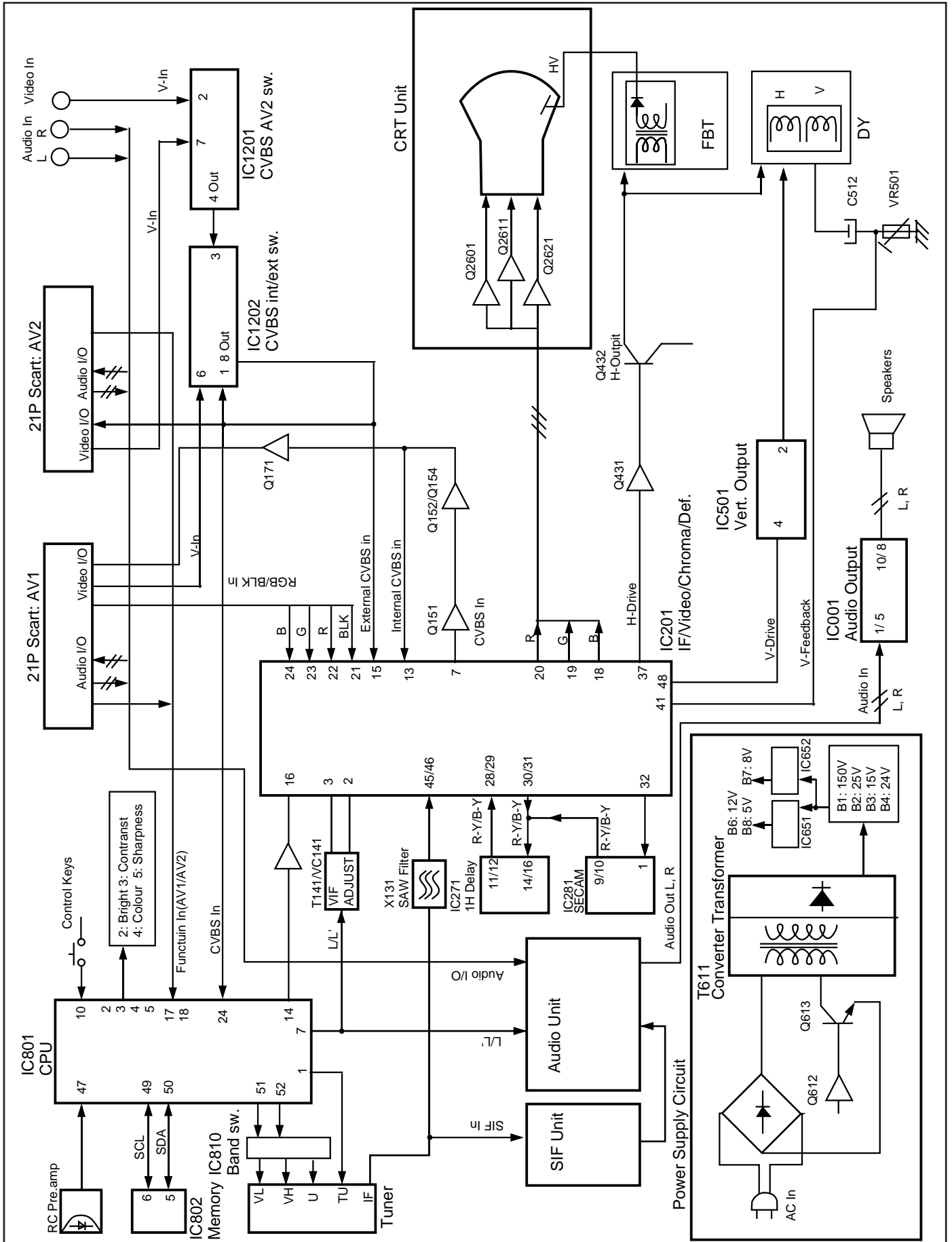
Product safety should be considered when a component replacement is made in any area of a receiver. Components indicated by mark Δ in the parts list and the schematic diagram designate components in which safety can be of special significance. It is particularly recommended that only parts designated on the parts list in this manual be used for component replacement designated by mark Δ . No deviations from resistance wattage or voltage ratings may be made for replacement items designated by mark Δ .

SPECIFICATION

Power source	AC 220~240V, 50Hz
Television system	System B/G, L/L', I
Colour system	PAL, SECAM
Receiving channel	VHF: E2-E12, F2-F10 CATV: X, Y, Z, S1-S41, B-Q UHF: #21~69
Aerial input impedance	75ohm
AV terminal	
21 Pin socket	AV1 CENELEC (Full +YC)
21 Pin socket	AV2 CENELEC standard
Sound output(Cont.)	5 watts x 2
Picture tube	55cm diagonal, 90 degree
(Visible picture diagonal)	51cm
Dimensions (WxHxD)	612 x 476 x 482mm
Weight	21.5 Kg

BLOCK DIAGRAM

This is a diagram for all models and therefore differs slightly from the actual block diagram.



CIRCUIT DESCRIPTION

1. POWER SUPPLY

The power supply circuit of the EB4-A chassis is composed of a rectifier smoothing circuit, an oscillation circuit, a control circuit and an output rectifier circuit. The AC input voltage is full-wave rectified by the rectifier smoothing circuit, and an unstable DC voltage is generated at both terminals of the smoothing capacitor C607. This voltage is input to the oscillation circuit. The oscillation circuit is provided with a blocking oscillator circuit that switches the switching transistor Q613 ON and OFF, and an oscillation frequency and a duty square wave pulse are generated in the input windings according to operation of the control circuit. A square-wave pulse whose size is dependent on the turn ratio of the input and output windings is obtained in the output winding. This is rectified in the output rectifier circuit, and the desired DC voltage is obtained.

2. IF & DEFLECTION (TDA8361)

The IF output signal from the tuner passes through the SAW filter, and it is input to pin45 and pin46 of IC201. The signal input to the IC passes through the IF amplifier, video detection and video amplifier circuits and is output from pin7 as a composite video signal. And after this signal is converted to impedance at Q151, supplies to the video and chroma amplifier stages. The sync.-separation circuit separates the video signals applied to pin13(internal video signal) or pin15(external video signal) to vertical- and horizontal-sync. signals respectively. The horizontal oscillator requires no external components and is fully integrated. The oscillator is always running when the start-pin36 is supplied with 8V. Horizontal drive signal is output from pin37. VR361 is for adjustment of the horizontal centring. The separated vertical-sync. signal from sync. separation circuit passes through the vertical-separation circuit, and applied to trigger divider circuit. The horizontal oscillation pulse and input vertical sync. pulse are monitored by the trigger divider circuit, and switching 50Hz and 60Hz system, the vertical amplitude automatically adjusted for 50Hz and 60Hz. The output signal from the trigger divider is triggered vertical oscillation circuit consisting of C351, R352 and pin42, and vertical drive pulse is output from pin43. VR501 is for changing the amount of AC feedback applied to pin41 and for adjustment of the vertical amplitude.

3. VIDEO CHROMA & R.G.B. (TDA8361)

The composite video signal output from the pin7 of IC101 passes through Q151-Q154, and it is supplied to pin13. The external video signal output from SCART is supplied to pin15. The video signal input to pin13 or pin15 is separated to luminance (Y) signal and chroma signal in IC201. These pins are used in common with H/V-sync. separation input. The peaking of Y signal is adjusted by DC voltage of pin14. ("SHARPNESS"

control) The chroma signal is divided into R-Y and B-Y chroma signals, demodulated in IC201, and output from pin30 (R-Y) and pin31 (B-Y). These chroma signals pass through the 1H delay line circuit (IC271), and they are input to pin29 (R-Y) and pin28 (B-Y). These R-Y/B-Y signals pass through RGB matrix circuit and RGB selector circuit of IC101. The internal RGB signals are generated in RGB matrix circuit and the RGB selector, consisting linear amplifiers, clamps and selects either the internal RGB signals or the external RGB signals input from pin22(R), pin23(G), pin24(B). Selection is controlled by the voltage at the RGB switch control (pin21) and mixed RGB modes are possible since RGB switching is fast. The RGB switch also functions as a fast blanking pin by blanking the RGB output stages; here internal and external RGB signals are overruled. The colour gain is controlled by DC voltage of pin26. ("COLOUR" control) The contrast control voltage present at pin25, and the brightness control voltage present at pin17 controls DC level of RGB signals. The RGB signals are finally buffered before being available at the RGB output pins [pin20 (R), pin19 (G), pin18 (R)].

4. AUDIO OUTPUT(TDA7263M)

The audio signals output from the audio unit are input to pin1(L) and 5(R) of IC171 and passes through the pre-amplifier circuit and drive circuit, after which it is input to the audio amplifier. The audio amplifier is an SEPP (single-ended, push-pull) OTL type and output to pin8(R) and 10(L) to directly drive the speakers.

5. VERTICAL OUTPUT (LA7832/LA7832)

An IC (LA7832/LA7833) is used for the vertical output circuit in this chassis. The vertical drive pulse from pin43 of IC201 is input to pin4 of IC501. This pulse drives IC501, and vertical scanning is performed. In the first half of scanning a deflecting current is output from pin2 and passes through the following path:

$V_{cc}(B4) \rightarrow D501 \rightarrow \text{pin3} \rightarrow \text{pin2} \rightarrow \text{DY} \rightarrow C512 \rightarrow$

$VR501/R509$. An electric charge is then stored in C512.

In the last half of scanning the current path is $C512 \rightarrow \text{DY} \rightarrow \text{pin2} \rightarrow \text{pin1} \rightarrow VR501/R509 \rightarrow C512$. In this way, an amplifying sawtooth waveform current flows directly to DY to perform electron beam deflection. Next, in the first half of the banking period the vertical drive pulse suddenly becomes OFF, and in order to reduce the current flowing to DY, the current path becomes as follows by the inductance of DY:

$\text{DY} \rightarrow \text{pin2} \rightarrow \text{pin1} \rightarrow VR501/R509 \rightarrow C512 \rightarrow \text{DY}$. Also,

when the charge of DY has dissipated, the current path becomes $V_{cc}24V \rightarrow \text{pin6} \rightarrow \text{pin7} \rightarrow C502 \rightarrow \text{pin3} \rightarrow \text{pin2} \rightarrow \text{DY} \rightarrow C512 \rightarrow VR501/R509$, and when the prescribed current value is reached, the vertical drive pulse becomes ON. This completes one cycle.

6. HORIZONTAL OUTPUT

A horizontal oscillation signal is output from pin37 of IC201 and switches the drive transistor Q431. This switching signal is current amplified by the drive transformer T431 and drives the output transistor Q432. When Q432 becomes ON, an amplifying current flows directly to DY through C441 → DY → Q432 → GND, and deflection is performed in the last half of the scanning period. Next, when Q432 becomes OFF, the charge that had been stored in DY up to that point releases a resonance current to the resonant capacitors C421/C423 and charges them. The current stored in C421/C423 is then flowed back to DY, and an opposite charge is then stored in DY. This opposite charge then switches the dumper diode in Q432 ON, the resonance state is completed, and an amplifying current is then flowed again directly to DY through the dumper diode. By this means, deflection in the first half of the scanning period is performed, and when Q432 becomes ON at the end of the first half of the scanning period, deflection during the last half is begun, thus completing one cycle.

In the PCC circuit consisting of Q461 and Q462, the parabola signal supplied from the vertical circuit is added at the horizontal output stage and pincushion compensation is performed by varying the DC voltage bias. Further, the ABL voltage is feedback to the base of Q462 to compensate for width variations due to variations in the beam current.

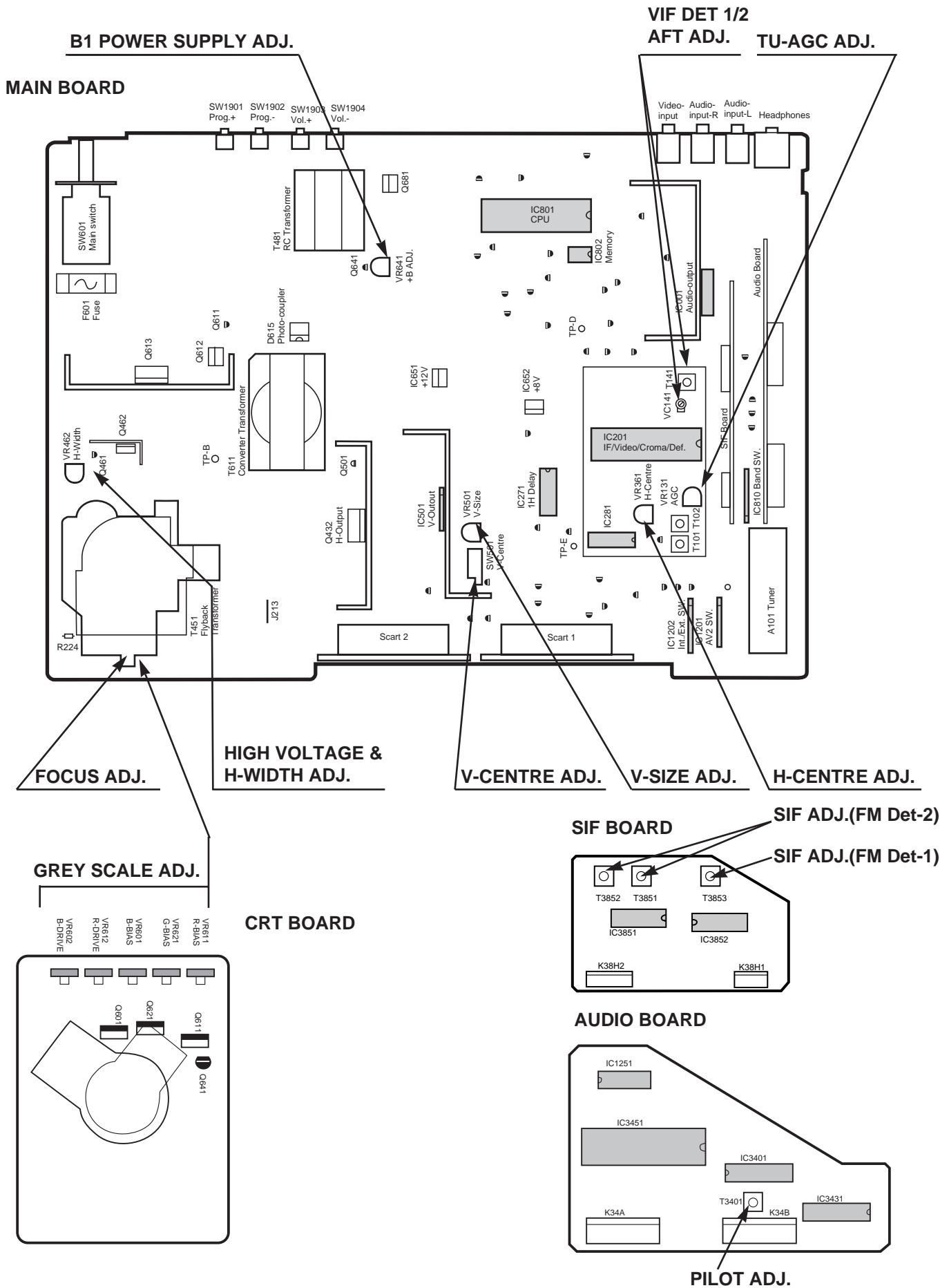
7. CPU <System and Teletext Control>

Pin description

Pin1: Tuning voltage output
Pin2: Brightness control output (6-bit DAC)
Pin3: Contrast control output (6-bit DAC)
Pin4: Colour control output (6-bit DAC)
Pin5: Sharpness control output(6-bit DAC)
Pin6: Not used (GND)
Pin7: Not used (GND)
Pin8: Power ON/OFF output (H:ON)
Pin9: AFT signal input
Pin10: Option SW1 & Keyboard scan input (DC)
Pin11: Option SW2
Pin12: 50/60Hz switch input (50Hz: Hi)
Pin13: GND
Pin14: TV/AV switch output (TV: Hi)
Pin15: S-VHS switch output (S-VHS: Hi)
Pin16: Option SW3 (2AV: Hi)
Pin17: Function signal input for SCART1
Pin18: Function signal input for SCART2
Pin19: Power LED drive output1
Pin20: Option SW4 & Power LED drive output2
Pin21: Ignore output
Pin22: GND
Pin23: CVBS input0 (Internal)
Pin24: CVBS input1 (Internal/External)

Pin25: Black
Pin26: IREF
Pin27: Odd/Even output
Pin28: GND
Pin29: -
Pin30: V-deflection stop output
Pin31: RGB REF
Pin32: Blue output for OSD
Pin33: Green output for OSD
Pin34: Red output for OSD
Pin35: Blanking output for OSD
Pin36: H-sync. input (Horizontal pulse for OSD)
Pin37: V-sync. input (Vertical pulse for OSD)
Pin38~39: Supply (+5V)
Pin40: OSC GND
Pin41: Oscillator input for CPU
Pin42: Oscillator output for CPU
Pin43: Reset input
Pin44: Supply (+5V)
Pin45: Protect signal input (L:Power circuit defects)
Pin 46: Ident. signal input
Pin47: R/C signal input
Pin48: Mute output in no picture
Pin49: I²C bus SCL (Serial clock)
Pin50: I²C bus SDA (Serial date)
Pin51: Option SW5 & Band select output1
Pin52: Band select output2

SERVICE CONTROL ADJUSTMENT



B1 POWER SUPPLY ADJUSTMENT

1. Set VR641 to be mechanically centre before pressing the mains ON/OFF switch.
2. Tune the receiver to a PAL circular pattern.
3. Set the brightness and contrast controls to normal.
4. Connect a digital V-meter to test point "TP-B".
5. Using VR641, adjust the voltage to $130 \pm 0.5V$.

AFT ADJUSTMENT

1. For B/G or L, tune the receiver to the clearest station. By using T141, adjust the AFT to obtain the best picture.
2. For L', tune the receiver to the clearest station. By using VC141, adjust the AFT to obtain the best picture.

AGC ADJUSTMENT

NOTE: Do not attempt this adjustment with a weak signal.

1. Tune the receiver to the clearest station.
2. Set AGC VR(VR131) in direction which causes snow noise just to appear, then in the opposite direction until the snow noise just disappears.

GREY SCALE ADJUSTMENT

[SCREEN VR ADJUSTMENT]

1. Tune the receiver to the white pattern.
2. Set the brightness and contrast controls to normal.
3. Set VR2602 and VR2612 to their mechanical centres.
4. Turn VR2601, VR2611 and VR2621 fully counter-clockwise (anti-clockwise).
5. Set the TV into service mode by pressing the Function button **F** on the Remote control and the Prog + **P** on the TV front panel. Press the Function button **F** on the Remote control until "SCREEN" is highlighted. This sets up a horizontal scanning line.
6. Set screen VR so that one colour is just visible.

[BIAS VR ADJUSTMENT]

7. By using VR2601, VR2611 or VR2621, adjust the line until it becomes white.
8. Set screen mode OFF, by pressing the Recall button **☐** on the Remote control.

[DRIVE VR ADJUSTMENT]

9. Using VR2602 and VR2612, adjust white balance.

HIGH VOLTAGE & WIDTH ADJUSTMENT

[HIGH VOLTAGE ADJUSTMENT]

1. Tune the receiver to the circular pattern.
2. Set the brightness and contrast controls to **maximum**.
3. Connect a digital V-meter to both terminals of R224, and a high voltage meter to the CRT anode.
4. Confirm high voltage to be 25.0 ± 1 KV at beam current 1.1, and less than 28.0 KV at 0 beam current.

[H-WIDTH ADJUSTMENT]

5. If H0width is too wide or narrow, connect or disconnect a lead wire J213.
6. Reconfirm high voltage.

H-CENTRE ADJUSTMENT

1. Tune the receiver to a circular pattern.
2. Adjust H-centre by using VR361.

V-CENTRE ADJUSTMENT

1. Tune the receiver to a circular pattern.
2. Adjust V-centre by using SW501.

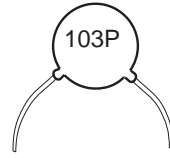
V-SIZE ADJUSTMENT

1. Tune the receiver to a circular pattern.
2. Adjust V-size by using VR501.

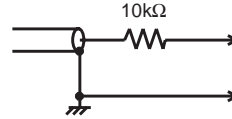
FOCUS ADJUSTMENT

By using FOCUS VR, adjust focus control for good scanning lines.

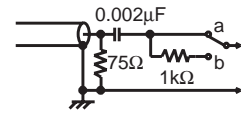
CIRCUIT ALIGNMENT



Jig-A

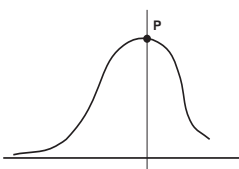


Input probe

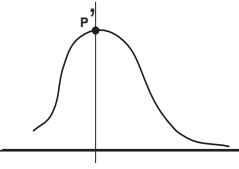


Output probe


VIF alignment (DETECTOR ADJ.1)

SETTING		Adjustment	Waveform	Notes						
DC 15.0V AGC voltage (4.3-4.5V) Output probe (Side b) Input probe DC5V JIG-A Sweep ATT 0dB=176mVrms/75 Scope System	IC651-pin1 IC201-pin48 IC201-pin45 IC201-pin7 Q681-E IC201-pin46 20dB 100mV/div L	By using T141, adjust "P" to be maximum amplitude.		How to select SYSTEM L or L'. 1. Before power on, connect IC801-pin11 to GND. 2. Select L or L' according to the table <table border="1" data-bbox="1182 622 1475 716"> <tr> <td></td> <td>L</td> <td>L'</td> </tr> <tr> <td>Q832-©GND</td> <td>Short</td> <td>Open</td> </tr> </table>		L	L'	Q832-©GND	Short	Open
	L	L'								
Q832-©GND	Short	Open								

VIF alignment (DETECTOR ADJ.2)

SETTING		Adjustment	Waveform	Notes						
DC 15.0V AGC voltage (4.3-4.5V) Output probe (Side b) Input probe DC5V JIG-A Sweep ATT 0dB=176mVrms/75 Scope System	IC651-pin1 IC201-pin48 IC201-pin45 IC201-pin7 Q681-E IC201-pin46 20dB 100mV/div L'	By using VC141, adjust "P" to be maximum amplitude.		How to select SYSTEM L or L'. 1. Before power on, connect IC801-pin11 to GND. 2. Select L or L' according to the table <table border="1" data-bbox="1182 1093 1475 1187"> <tr> <td></td> <td>L</td> <td>L'</td> </tr> <tr> <td>Q832-©GND</td> <td>Short</td> <td>Open</td> </tr> </table>		L	L'	Q832-©GND	Short	Open
	L	L'								
Q832-©GND	Short	Open								


SIF alignment (FM Detector-1)

SETTING	Adjustment	Waveform
DC 12V AGC voltage (DC5V) Output probe (Side a) Input probe Jig-A Sweep ATT 10dB Scope 100mV/div Marker Frequency 38.9MHz	K38H2-pin3 IC3852-pin13 IC3852-pin5 IC3852-pin17 IC3852-pin6	By using T3853, adjust "P" to be 38.9MHz ±100KHz. 

SIF alignment (FM Detector-2)

SETTING		Adjustment	
DC 12V DC5V Output probe Input probe Scope Carrier Frequency Modulation Frequency System	K38H2-pin3 IC3851-pin21 IC3851-pin15 IC3851-pin16 100mV/div 5.5MHz 1KHz (Sine wave) B/G	By using T3852, adjust DC level to be 1.7V.	
SETTING		Adjustment	
DC 12V DC5V Output probe Input probe Scope Carrier Frequency Modulation Frequency System	K38H2-pin3 IC3851-pin21 IC3851-pin19 IC3851-pin18 100mV/div 5.74MHz 1KHz (Sine wave) B/G	By using T3851, adjust DC level to be 1.7V.	

Pilot alignment

SETTING		Adjustment	Waveform
Oscilloscope Input sound signal source TV system Deviation Mode	IC3401-pin5 System B/G 27kHz Stereo	By using T3401, adjust amplitude to be maximum.	

INITIALISATION (Important Notice)

When you replace a memory IC (IC802), it is necessary to initialise the IC as following step.

A. Initialisation

Press and hold the **normalisation button** →← on the remote control handset and press the **programme + button** P▲ on the TV set.

The IC will be initialised automatically to set the following data.

User control data

Colour	: Centre
Brightness	: Centre
Contrast	: Maximum
Sharpness	: Centre
Text. Bright	: Centre
Bass	: Centre
Treble	: Centre
Balance	: Centre
Volume	: Step 12

Service data

K1	: +000
K2	: +000
ST ID	: +000
ATT	: +004
MAX	: -096
MIN	: +010

Manual set data

->	+001
->	-001
->	-050
->	-075

The initialised service data of items K1, K2, MAX and MIN should be modified to the manual set data shown above.
For how to modify, refer to next step.

B. Service Mode

1. To enter the service mode, press and hold the **Function button** F [] on the remote control handset and press the **programme + button** P▲ on the TV set.

The following OSD appears on the screen.

ADJUST	DATA
K1	+000
K2	-006
ST ID	+000
ATT	+004
MAX	-050
MIN	-075
SCREEN	VOL
CPU Ver	1.0

2. Select the desired service item by using the **Function button** F [] on the remote control handset.
3. Change the data by using the **Level + or - button** - ◀ + .
4. To return to TV mode press the **Recall button** [] [] on the remote control handset.

Service mode description

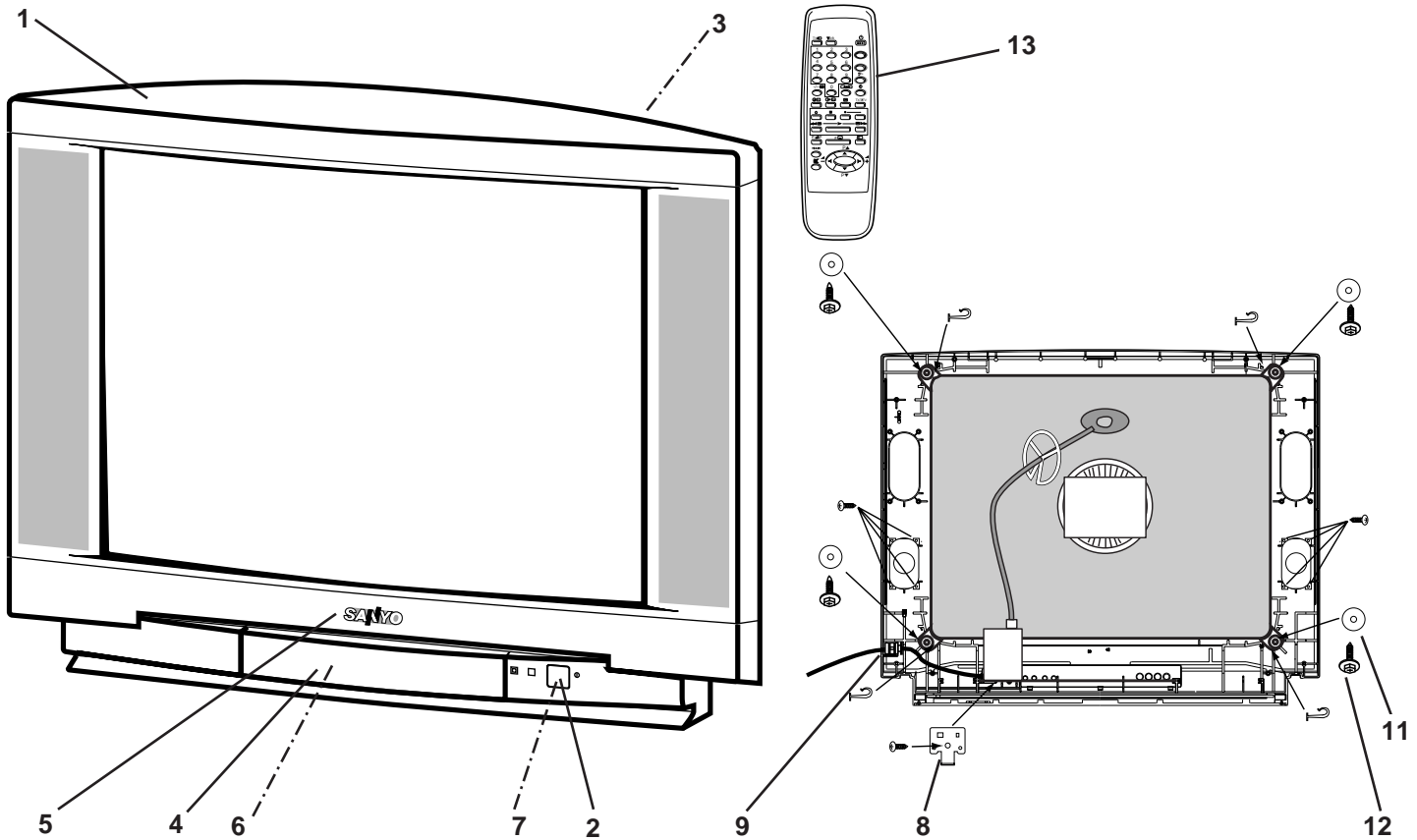
- K1, K2 : For adjustment of stereo separation
- ST ID : Mode setting for A2 stereo judgement
 - +000 : Fast mode
 - +001: Normal mode
 - +002: Fast -> normal mode
- ATT : Attenuation of FM sound
 - To equalise sound levels between FM and Nicam.
- MAX : Setting of sensitivity for switching Nicam to FM mode
- MIN : Setting of sensitivity for switching FM to Nicam mode.
- SCREEN: For screen adjustment
 - To make one horizontal scanning line.

NOTE:

The items K1, K2, ST ID and ATT are invalid adjustments for a model which does not have an A2 stereo decoder.
The items MAX and MIN are invalid adjustments for a model which does not have a Nicam decoder.
These items allow modifications to the set data, but there is no effect in performance.

CABINET PARTS LIST FOR MODELS CE21DN4-F-01

Note: Parts order must contain Service Ref. No., Part No., and descriptions.



Item	Part No.	Description
CABINET PARTS		
1	610 275 9440	CABINET FRONT- F7KA
2	610 276 5618	BUTTON POWER- F7WC
3	610 278 2349	CABINET BACK - F7KC
4	610 280 3525	DOOR- F7KL
5	645 030 7355	BADGE, SANYO*53. 5X12 GRAY
6	645 019 2449	LATCH PUSH, 7. 9X6. 9BK
7	610 261 3032	SPRING- E7GC
8	610 276 5656	DEC IND- F7WC
9	610 253 2449	HOLDER AC CORD- GBR- D4VA
10	610 265 4202	HOLDER DC GBR- F3SC
11	610 224 5721	CRT CUSHION- B3MY- UK
12	412 009 3003	CRT SCREW
ACCESSORIES		
13	JXMCC	RC TRANSMITTER
	SKP10176	INST MANUAL - F7WL (1)
	SKP10177	INST MANUAL - F7WL (2)
	1AV4D11B03600	BATTERY

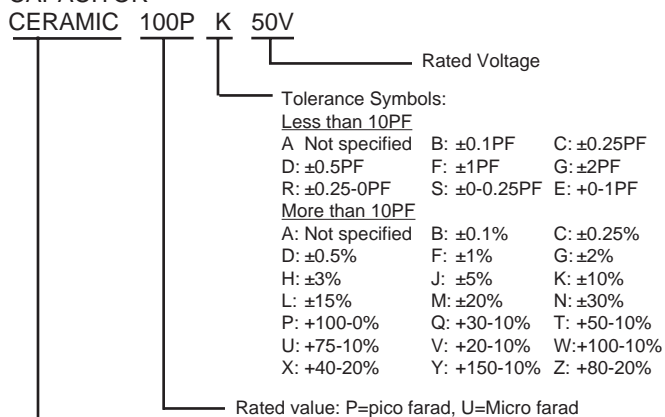
CHASSIS ELECTRICAL PARTS LIST

Product safety should be considered when a component replacement is made in any area of a receiver. Components indicated by a Δ mark in this parts list and the circuit diagram show components whose value have special significance to product safety. It is particularly recommended that only parts specified on the following parts list be used for components replacement pointed out by the Δ mark.

Note: Parts order must contain Service Ref. No., Part No., and descriptions.

Read description in the Capacitor and Resistor as follows:

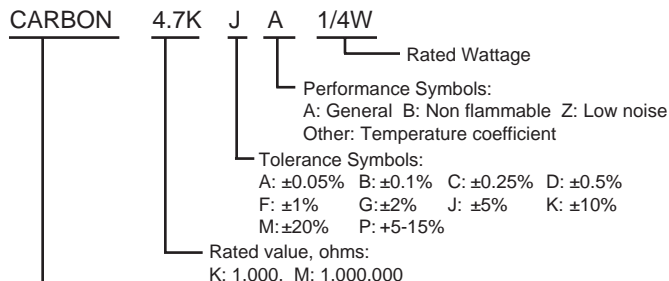
CAPACITOR



Material:

- CERAMICCeramic
- MT-PAPERMetallized Paper
- POLYESTERPolyester
- MT-POLYESTMetallized Polyester
- POLYPROPolypropylene
- MT-POLYPROMetallized Polypropylene
- COMPO FILMComposite film
- MT-COMPOMetallized Composite
- STYRENEStyrene
- TA-SOLIDTantalum Solid
- AL-SOLIDAluminium Solid
- ELECTElectrolytic
- NP-ELECTNon-polarized Electrolytic
- OS-SOLIDAluminium Solid with Organic Semiconductive Electrolytic
- DL-ELECTDoble Layered Electrolytic

RESISTOR



Material:

- CARBONCarbon
- MT-FILMMetal Film
- OXIDE-MTOxide Metal Film
- SOLIDComposition
- MT-GLAZEMetal Glaze
- WIRE WOUNDWire Wound
- CERAMIC RESCeramic
- FUSIBLE RESFusible

Ref. No.	Part No.	Description
----------	----------	-------------

OUT OF CIRCUIT BOARD

PICTURE TUBE

Δ Q901	414 007 9001	CRT A51EBV13X09
---------------	--------------	-----------------

COIL

Δ L901	645 002 5624	COIL,DEGAUSSING
	645 002 5631	COIL,DEGAUSSING

MISCELLANEOUS

SP901	610 232 3986	SPEAKER
	610 228 7202	SPEAKER
SP902	610 232 3986	SPEAKER
	610 228 7202	SPEAKER
W901	645 012 7632	EURO PLUG +2P HOUSE @ 2.1
W902	610 024 2531	GROUNDING CONNECTOR

1AA0B10H018V0 ASSY,PWB,MAIN F7KLV

TRANSISTOR

Q001	406 007 2106	TR JC546A
	406 007 2007	TR JC546B
	405 019 1909	TR 2SC536-E-NP
	405 019 2708	TR 2SC536-F-NP
	405 019 3804	TR 2SC536-G-NP
Q1001	406 007 1901	TR JC556A
	406 007 1802	TR JC556B
	405 004 4205	TR 2SA608-E-CTV-NP
	405 004 4809	TR 2SA608-F-CTV-NP
	405 028 7909	TR 2SA608-G-CTV-NP
Q1002	406 007 2106	TR JC546A
	406 007 2007	TR JC546B
	405 019 1909	TR 2SC536-E-NP
	405 019 2708	TR 2SC536-F-NP
	405 019 3804	TR 2SC536-G-NP
Q1003	406 007 2106	TR JC546A
	406 007 2007	TR JC546B
	405 019 1909	TR 2SC536-E-NP
	405 019 2708	TR 2SC536-F-NP
	405 019 3804	TR 2SC536-G-NP
Q1004	406 007 2106	TR JC546A
	406 007 2007	TR JC546B
	405 019 1909	TR 2SC536-E-NP
	405 019 2708	TR 2SC536-F-NP
	405 019 3804	TR 2SC536-G-NP
Q1005	406 007 2106	TR JC546A
	406 007 2007	TR JC546B
	405 019 1909	TR 2SC536-E-NP
	405 019 2708	TR 2SC536-F-NP
	405 019 3804	TR 2SC536-G-NP

Ref. No.	Part No.	Description	Ref. No.	Part No.	Description
Q1041	406 007 2106	TR JC546A	Q154	405 004 4809	TR 2SA608-F-CTV-NP
	406 007 2007	TR JC546B		405 028 7909	TR 2SA608-G-CTV-NP
	405 019 1909	TR 2SC536-E-NP		406 007 1901	TR JC556A
	405 019 2708	TR 2SC536-F-NP		406 007 1802	TR JC556B
	405 019 3804	TR 2SC536-G-NP		405 004 4205	TR 2SA608-E-CTV-NP
Q1042	406 007 1901	TR JC556A	Q161	405 004 4809	TR 2SA608-F-CTV-NP
	406 007 1802	TR JC556B		405 028 7909	TR 2SA608-G-CTV-NP
	405 004 4205	TR 2SA608-E-CTV-NP		406 007 2106	TR JC546A
	405 004 4809	TR 2SA608-F-CTV-NP		406 007 2007	TR JC546B
Q1043	405 028 7909	TR 2SA608-G-CTV-NP	Q162	405 019 1909	TR 2SC536-E-NP
	406 007 2106	TR JC546A		405 019 2708	TR 2SC536-F-NP
	406 007 2007	TR JC546B		405 019 3804	TR 2SC536-G-NP
	405 019 1909	TR 2SC536-E-NP		406 007 1901	TR JC556A
	405 019 2708	TR 2SC536-F-NP		406 007 1802	TR JC556B
Q1201	405 019 3804	TR 2SC536-G-NP	Q171	405 004 4205	TR 2SA608-E-CTV-NP
	406 007 2106	TR JC546A		405 004 4809	TR 2SA608-F-CTV-NP
	406 007 2007	TR JC546B		405 028 7909	TR 2SA608-G-CTV-NP
	405 019 1909	TR 2SC536-E-NP		406 007 2106	TR JC546A
Q1202	405 019 2708	TR 2SC536-F-NP	Q2001	406 007 2007	TR JC546B
	405 019 3804	TR 2SC536-G-NP		405 019 1909	TR 2SC536-E-NP
	406 007 2106	TR JC546A		405 019 2708	TR 2SC536-F-NP
	406 007 2007	TR JC546B		405 019 3804	TR 2SC536-G-NP
	405 019 1909	TR 2SC536-E-NP		406 007 2106	TR JC546A
Q1203	405 019 2708	TR 2SC536-F-NP	Q201	406 007 2007	TR JC546B
	405 019 3804	TR 2SC536-G-NP		405 019 1909	TR 2SC536-E-NP
	406 007 2106	TR JC546A		405 019 2708	TR 2SC536-F-NP
	406 007 2007	TR JC546B		405 019 3804	TR 2SC536-G-NP
	405 019 1909	TR 2SC536-E-NP		406 007 2106	TR JC546A
Q1204	405 019 2708	TR 2SC536-F-NP	Q202	406 007 2007	TR JC546B
	405 019 3804	TR 2SC536-G-NP		405 019 1909	TR 2SC536-E-NP
	406 007 2106	TR JC546A		405 019 2708	TR 2SC536-F-NP
	406 007 2007	TR JC546B		405 019 3804	TR 2SC536-G-NP
	405 019 1909	TR 2SC536-E-NP		406 007 2106	TR JC546A
Q121	405 019 2708	TR 2SC536-F-NP	Q203	406 007 2007	TR JC546B
	405 019 3804	TR 2SC536-G-NP		405 019 1909	TR 2SC536-E-NP
	406 007 2106	TR JC546A		405 019 2708	TR 2SC536-F-NP
	406 007 2007	TR JC546B		405 019 3804	TR 2SC536-G-NP
	405 019 1909	TR 2SC536-E-NP		406 007 2106	TR JC546A
Q141	405 019 2708	TR 2SC536-F-NP	Q431	406 007 2007	TR JC546B
	405 019 3804	TR 2SC536-G-NP		405 019 1909	TR 2SC536-E-NP
	406 007 2106	TR JC546A		405 019 2708	TR 2SC536-F-NP
	406 007 2007	TR JC546B		405 019 3804	TR 2SC536-G-NP
	405 019 1909	TR 2SC536-E-NP		405 011 1808	TR 2SC1627-O
Q142	405 019 2708	TR 2SC536-F-NP	Q432	405 011 1907	TR 2SC1627-Y
	405 019 3804	TR 2SC536-G-NP		405 013 6801	TR 2SC2274-E
	406 007 1901	TR JC556A		405 013 7006	TR 2SC2274-F
	406 007 1802	TR JC556B		405 022 6809	TR 2SD1651-CTV-YB
	405 004 4205	TR 2SA608-E-CTV-NP		406 007 2106	TR JC546A
Q151	405 004 4809	TR 2SA608-F-CTV-NP	Q611	406 007 2007	TR JC546B
	405 028 7909	TR 2SA608-G-CTV-NP		405 019 1909	TR 2SC536-E-NP
	406 007 1901	TR JC556A		405 019 2708	TR 2SC536-F-NP
	406 007 1802	TR JC556B		405 019 3804	TR 2SC536-G-NP
	405 004 4205	TR 2SA608-E-CTV-NP		406 007 1901	TR JC556A
Q152	405 004 4809	TR 2SA608-F-CTV-NP	Q612	406 007 1802	TR JC556B
	405 028 7909	TR 2SA608-G-CTV-NP		405 004 4205	TR 2SA608-E-CTV-NP
	406 007 2106	TR JC546A		405 004 4809	TR 2SA608-F-CTV-NP
	406 007 2007	TR JC546B		405 028 7909	TR 2SA608-G-CTV-NP
	405 019 1909	TR 2SC536-E-NP		405 058 0208	TR 2SC3807-R-CTV-YA
Q153	405 019 2708	TR 2SC536-F-NP	Q641	405 018 9203	TR 2SC3895-T-CTV-YB
	405 019 3804	TR 2SC536-G-NP		406 007 2106	TR JC546A
	406 007 1901	TR JC556A		406 007 2007	TR JC546B
	406 007 1802	TR JC556B		405 019 1909	TR 2SC536-E-NP
	405 004 4205	TR 2SA608-E-CTV-NP		405 019 2708	TR 2SC536-F-NP

Ref. No.	Part No.	Description	Ref. No.	Part No.	Description
	405 019 3804	TR 2SC536-G-NP	IC201	409 380 8802	IC TDA8362/N5
Q652	405 023 4903	TR 2SD400-D-MP	IC271	409 4407 806	IC TDA4665/V5
	405 023 5009	TR 2SD400-E-MP	IC281	409 374 5503	IC TDA8395/N2
	405 023 5306	TR 2SD400-F-MP	IC501	409 183 5008	IC LA7832
Q681	405 059 9804	TR 2SD1913-Q-RA	IC651	409 143 3402	IC AN78M12 LB
	405 059 9903	TR 2SD1913-R-RA		409 365 2900	IC BA178M12T
	405 060 0005	TR 2SD1913-S-RA		409 269 1207	IC L78M12CV
Q682	406 007 1901	TR JC556A		409 366 1803	IC MC78M12CT
	406 007 1802	TR JC556B	IC652	409 362 7403	IC AN78M08 LB
	405 004 4205	TR 2SA608-E-CTV-NP		409 365 2801	IC BA178M08T
	405 004 4809	TR 2SA608-F-CTV-NP		409 285 5203	IC L78M08-RA
	405 028 7909	TR 2SA608-G-CTV-NP		409 269 1108	IC L78M08CV
Q801	405 118 4207	TR PH2369		409 366 1704	IC MC78M08CT
Q831	406 007 2106	TR JC546A	IC653	409 241 5407	IC BA178M05T
	406 007 2007	TR JC546B	IC654	409 367 2809	IC BA178M09T
	405 019 1909	TR 2SC536-E-NP	IC801	410 323 9206	IC SAA5290PS/116
	405 019 2708	TR 2SC536-F-NP	IC802	409 247 7702	IC ST24C02AB1
	405 019 3804	TR 2SC536-G-NP		409 281 8307	IC 24C02A/P
Q832	406 007 2106	TR JC546A		409 333 3700	IC 24LC02B/P
	406 007 2007	TR JC546B	IC810	409 019 6209	IC LA7910
	405 019 1909	TR 2SC536-E-NP	CAPACITOR		
	405 019 2708	TR 2SC536-F-NP	C001	403 068 0409	CERAMIC 0.1U Z 25V
	405 019 3804	TR 2SC536-G-NP		403 070 2606	CERAMIC 0.1U Z 50V
Q835	406 007 2106	TR JC546A	C002	403 070 9803	CERAMIC 0.015U K 50V
	406 007 2007	TR JC546B	C003	403 068 0409	CERAMIC 0.1U Z 25V
	405 019 1909	TR 2SC536-E-NP		403 070 2606	CERAMIC 0.1U Z 50V
	405 019 2708	TR 2SC536-F-NP	C004	403 070 9803	CERAMIC 0.015U K 50V
	405 019 3804	TR 2SC536-G-NP	C005	403 046 3507	ELECT 33U M 25V
Q861	406 007 1901	TR JC556A	C006	403 046 3507	ELECT 33U M 25V
	406 007 1802	TR JC556B	C007	403 270 3403	MT-POLYEST 0.22U K 63V
	405 004 4205	TR 2SA608-E-CTV-NP		403 237 7901	MT-COMPO 0.22U J 50V
	405 004 4809	TR 2SA608-F-CTV-NP	C008	403 270 3403	MT-POLYEST 0.22U K 63V
	405 028 7909	TR 2SA608-G-CTV-NP		403 237 7901	MT-COMPO 0.22U J 50V
Q871	406 007 2106	TR JC546A	C009	403 270 3403	MT-POLYEST 0.22U K 63V
	406 007 2007	TR JC546B		403 237 7901	MT-COMPO 0.22U J 50V
	405 019 1909	TR 2SC536-E-NP	C010	403 270 3403	MT-POLYEST 0.22U K 63V
	405 019 2708	TR 2SC536-F-NP		403 237 7901	MT-COMPO 0.22U J 50V
	405 019 3804	TR 2SC536-G-NP	C011	403 042 4805	ELECT 1000U M 16V
Q872	406 007 2106	TR JC546A	C012	403 042 4805	ELECT 1000U M 16V
	406 007 2007	TR JC546B	C013	403 069 9500	CERAMIC 0.01U Z 50V
	405 019 1909	TR 2SC536-E-NP	C014	403 069 9500	CERAMIC 0.01U Z 50V
	405 019 2708	TR 2SC536-F-NP	C015	403 047 3100	ELECT 47U M 25V
	405 019 3804	TR 2SC536-G-NP	C016	403 085 4008	NP-ELECT 10U M 16V
Q873	406 007 2106	TR JC546A	C017	403 085 4008	NP-ELECT 10U M 16V
	406 007 2007	TR JC546B	C021	403 052 8503	ELECT 1000U M 35V
	405 019 1909	TR 2SC536-E-NP	C023	403 069 9500	CERAMIC 0.01U Z 50V
	405 019 2708	TR 2SC536-F-NP	C024	403 069 9500	CERAMIC 0.01U Z 50V
	405 019 3804	TR 2SC536-G-NP	C030	403 069 9510	CERAMIC CHIP 0.01 Z 50V
Q874	406 007 2106	TR JC546A	C100	403 248 1618	ELECT 47U M 16V
	406 007 2007	TR JC546B	C1001	403 069 1702	CERAMIC 1000P K 50V
	405 019 1909	TR 2SC536-E-NP	C1002	403 041 8804	ELECT 10U M 16V
	405 019 2708	TR 2SC536-F-NP	C1003	403 009 5708	CERAMIC 100P J 50V
	405 019 3804	TR 2SC536-G-NP	C1004	403 130 3109	CERAMIC 0.047U K 50V
Q875	406 007 2106	TR JC546A	C1005	403 069 1702	CERAMIC 1000P K 50V
	406 007 2007	TR JC546B	C1006	403 041 8804	ELECT 10U M 16V
	405 019 1909	TR 2SC536-E-NP	C1007	403 009 5708	CERAMIC 100P J 50V
	405 019 2708	TR 2SC536-F-NP	C1008	403 130 3109	CERAMIC 0.047U K 50V
	405 019 3804	TR 2SC536-G-NP	C1009	403 041 8804	ELECT 10U M 16V
INTEGRATED CIRCUIT			C101	403 194 4609	ELECT 470U M 16V
IC001	409 301 4906	IC TDA7263M	C102	403 043 9106	ELECT 47U M 16V
IC1201	409 018 7603	IC LA7016	C1021	403 069 1702	CERAMIC 1000P K 50V
IC1202	409 120 3401	IC LA7221	C1022	403 041 8804	ELECT 10U M 16V

Ref. No.	Part No.	Description	Ref. No.	Part No.	Description
C1023	403 009 5708	CERAMIC 100P J 50V		403 070 2606	CERAMIC 0.1U Z 50V
C1024	403 041 9405	ELECT 10U M 16V	C2002	403 068 0409	CERAMIC 0.1U Z 25V
C1025	403 069 1702	CERAMIC 1000P K 50V		403 070 2606	CERAMIC 0.1U Z 50V
C1026	403 041 8804	ELECT 10U M 16V	C2003	403 068 0409	CERAMIC 0.1U Z 25V
C1027	403 009 5708	CERAMIC 100P J 50V		403 070 2606	CERAMIC 0.1U Z 50V
C1028	403 041 9405	ELECT 10U M 16V	C201	403 014 3409	CERAMIC 18P J 50V
C1029	403 041 8804	ELECT 10U M 16V	C201A	403 014 3419	CERAMIC CERAMIC 1
C103A	403 069 1712	CERAMIC 1000P K 50V	C202	403 270 2901	MT-POLYEST 0.1U K 63V
C1031	403 014 9203	CERAMIC 180P J 50V		403 237 8007	MT-COMPO 0.1U J 50V
C104B	403 043 9106	ELECT 47U M 16V	C203	403 073 9107	CERAMIC 4700P K 50V
C1041	403 041 8804	ELECT 10U M 16V	C204	403 068 0409	CERAMIC 0.1U Z 25V
C106	403 049 0008	ELECT 1U M 50V		403 070 2606	CERAMIC 0.1U Z 50V
C106A	403 233 9919	CERAMIC 0.01U K 50V	C205	403 068 0409	CERAMIC 0.1U Z 25V
C108	403 027 1211	CERAMIC 5P J 50V		403 070 2606	CERAMIC 0.1U Z 50V
C109	403 027 1211	CERAMIC 5P J 50V	C206	403 068 0409	CERAMIC 0.1U Z 25V
C110	403 033 4510	CERAMIC 82P J 50V		403 070 2606	CERAMIC 0.1U Z 50V
C1101	403 041 8804	ELECT 10U M 16V	C207	403 068 0409	CERAMIC 0.1U Z 25V
C1103	403 069 1702	CERAMIC 1000P K 50V		403 070 2606	CERAMIC 0.1U Z 50V
C1104	403 041 8804	ELECT 10U M 16V	C208	403 068 0409	CERAMIC 0.1U Z 25V
C1105	403 009 5708	CERAMIC 100P J 50V		403 070 2606	CERAMIC 0.1U Z 50V
C1106	403 069 1702	CERAMIC 1000P K 50V	C209	403 069 1702	CERAMIC 1000P K 50V
C1107	403 041 8804	ELECT 10U M 16V	C212	403 049 9803	ELECT 2.2U M 50V
C1108	403 014 9203	CERAMIC 180P J 50V	C215	403 270 3908	MT-POLYEST 0.47U K 63V
C1109	403 008 7406	CERAMIC 10P D 50V		403 256 0808	MT-COMPO 0.47U J 50V
C114	401 037 5004	MT-GLAZE 0.000 ZA 1/10W	C222	404 045 6605	NP-ELECT 2.2U M 50V
C117	401 037 5004	MT-GLAZE 0.000 ZA 1/10W	C226	403 138 1602	ELECT 1U M 100V
C120	403 069 9500	CERAMIC 0.01U Z 50V	C231	403 068 0409	CERAMIC 0.1U Z 25V
C1201	403 041 8804	ELECT 10U M 16V		403 070 2606	CERAMIC 0.1U Z 50V
C1202	403 041 8804	ELECT 10U M 16V	C232	403 014 9203	CERAMIC 180P J 50V
C1203	403 069 8305	CERAMIC 0.01U Z 50V	C233	403 068 0409	CERAMIC 0.1U Z 25V
C1205	403 009 5708	CERAMIC 100P J 50V		403 070 2606	CERAMIC 0.1U Z 50V
C121	403 068 0409	CERAMIC 0.1U Z 25V	C234	403 013 3004	CERAMIC 150P J 50V
	403 070 2606	CERAMIC 0.1U Z 50V	C235	403 008 7406	CERAMIC 10P D 50V
C131	401 037 5004	MT-GLAZE 0.000 ZA 1/10W	C271	403 069 1702	CERAMIC 1000P K 50V
C132	403 072 5011	CERAMIC 270P K 50V	C272	403 069 1702	CERAMIC 1000P K 50V
C132A	403 069 1702	CERAMIC 1000P K 50V	C273	403 069 9500	CERAMIC 0.01U Z 50V
C132B	403 069 9500	CERAMIC 0.01U Z 50V	C274	403 041 8804	ELECT 10U M 16V
C132C	403 069 9510	CERAMIC CHIP 0.01 Z 50V	C275	403 074 9512	CERAMIC 680P K 50V
C133	403 069 9500	CERAMIC 0.01U Z 50V	C281	403 237 7941	MT-COMPO 0.22U J 50V
C134	403 050 6600	ELECT 3.3U M 50V	C282	403 068 0409	CERAMIC 0.1U Z 25V
C135	403 068 0409	CERAMIC 0.1U Z 25V		403 070 2606	CERAMIC 0.1U Z 50V
	403 070 2606	CERAMIC 0.1U Z 50V	C283	403 069 9500	CERAMIC 0.01U Z 50V
C136	403 194 4609	ELECT 470U M 16V	C284	403 043 9106	ELECT 47U M 16V
C137	403 068 0409	CERAMIC 0.1U Z 25V	C351	403 270 2901	MT-POLYEST 0.1U K 63V
	403 070 2606	CERAMIC 0.1U Z 50V		403 237 8007	MT-COMPO 0.1U J 50V
C138	403 069 9500	CERAMIC 0.01U Z 50V	C352	403 270 3809	MT-POLYEST 0.047U K 63V
C141	403 028 4409	CERAMIC 56P J 50V		403 225 2703	MT-COMPO 0.047U J 50V
C142	403 068 0409	CERAMIC 0.1U Z 25V	C353	403 073 9107	CERAMIC 4700P K 50V
	403 070 2606	CERAMIC 0.1U Z 50V	C354	403 049 0008	ELECT 1U M 50V
C143	403 073 4201	CERAMIC 3900P K 50V	C361	403 072 5605	CERAMIC 2700P K 50V
C144	403 069 9500	CERAMIC 0.01U Z 50V	C362	403 069 9500	CERAMIC 0.01U Z 50V
C145	403 069 9500	CERAMIC 0.01U Z 50V	C363	403 042 2405	ELECT 100U M 16V
C146	403 010 8507	CERAMIC 12P J 50V	△ C421	404 046 8400	MT-POLYPRO 8200P J 1.5K
C151	403 024 2102	CERAMIC 39P J 50V	C425	403 165 7301	CERAMIC 330P K 3K
C161	403 009 5708	CERAMIC 100P J 50V		403 287 3601	CERAMIC 330P K 3K
C162	403 068 2512	CERAMIC 0.22U		403 232 3007	CERAMIC 330P K 3K
C163	403 041 8804	ELECT 10U M 16V		403 186 0107	CERAMIC 330P K 3K
C171	403 270 2901	MT-POLYEST 0.1U K 63V	C430	403 075 7101	CERAMIC 1000P K 500V
	403 237 8007	MT-COMPO 0.1U J 50V	C432	403 075 7101	CERAMIC 1000P K 500V
C1901	403 069 1702	CERAMIC 1000P K 50V	C433	403 076 3102	CERAMIC 3900P K 500V
C200	403 068 0409	CERAMIC 0.1U Z 25V	C434	403 229 1207	ELECT 47U M 35V
	403 070 2606	CERAMIC 0.1U Z 50V	C437	403 066 6106	MT-POLYEST 0.47U J 250V
C2001	403 068 0409	CERAMIC 0.1U Z 25V	C438	403 059 3808	POLYESTER 2200P K 50V

Ref. No.	Part No.	Description	Ref. No.	Part No.	Description
	403 179 2606	POLYESTER 2200P K 50V	C684	403 050 6600	ELECT 3.3U M 50V
Δ C441	403 216 7601	POLYPRO 0.36U J 200V	C802	403 270 2901	MT-POLYEST 0.1U K 63V
C445	403 049 4204	ELECT 10U M 50V		403 237 8007	MT-COMPO 0.1U J 50V
C481	403 076 1405	CERAMIC 2700P K 500V	C812	403 049 0008	ELECT 1U M 50V
C482	403 159 7409	MT-POLYEST 0.1U K 250V	C814	403 049 0008	ELECT 1U M 50V
C501	403 054 1502	ELECT 470U M 35V	C816	403 046 9905	ELECT 4.7U M 25V
C502	403 053 2104	ELECT 220U M 35V	C818	403 046 9905	ELECT 4.7U M 25V
C503	403 024 2102	CERAMIC 39P J 50V	C841	403 069 9500	CERAMIC 0.01U Z 50V
C504	403 069 9500	CERAMIC 0.01U Z 50V	C860	403 022 8205	CERAMIC 33P J 50V
C505	403 075 7101	CERAMIC 1000P K 500V	C861	403 061 7504	POLYESTER 4700P J 50V
C506	403 183 7901	MT-POLYEST 0.1U K 100V		403 179 1203	POLYESTER 4700P J 50V
	403 256 4806	MT-COMPO 0.1U J 100V	C871	403 068 0409	CERAMIC 0.1U Z 25V
C511	403 188 1201	MT-POLYEST 0.15U K 100V		403 070 2606	CERAMIC 0.1U Z 50V
	403 313 7603	MT-COMPO 0.15U J 100V	C872	403 043 9106	ELECT 47U M 16V
C512	403 148 0404	ELECT 1000U M 25V	C873	403 018 0503	CERAMIC 22P J 50V
C513	403 049 4204	ELECT 10U M 50V	C874	403 018 0503	CERAMIC 22P J 50V
C514	403 049 4204	ELECT 10U M 50V	C875	403 068 0409	CERAMIC 0.1U Z 25V
C600	403 076 4000	CERAMIC 4700P K 500V		403 070 2606	CERAMIC 0.1U Z 50V
Δ C601	404 056 1408	MT-POLYEST 0.1U M 250V	C878	403 073 9107	CERAMIC 4700P K 50V
	404 074 6508	MT-COMPO 0.1U K 250V	C879	403 068 0409	CERAMIC 0.1U Z 25V
Δ C602	404 056 1408	MT-POLYEST 0.1U M 250V		403 070 2606	CERAMIC 0.1U Z 50V
	404 074 6508	MT-COMPO 0.1U K 250V	C881	403 069 9500	CERAMIC 0.01U Z 50V
C603	403 312 8205	CERAMIC 1000P K 1K	C882	403 041 8804	ELECT 10U M 16V
	403 076 7100	CERAMIC 1000P M 1K	C883	403 018 0503	CERAMIC 22P J 50V
C604	403 312 8205	CERAMIC 1000P K 1K	C884	403 018 0503	CERAMIC 22P J 50V
	403 076 7100	CERAMIC 1000P M 1K	C892	403 069 9500	CERAMIC 0.01U Z 50V
C605	403 312 8205	CERAMIC 1000P K 1K			
	403 076 7100	CERAMIC 1000P M 1K	RESISTOR		
C606	403 312 8205	CERAMIC 1000P K 1K	R001	401 037 5400	MT-GLAZE 1K JA 1/10W
	403 076 7100	CERAMIC 1000P M 1K	R002	401 037 9200	MT-GLAZE 1.8K JA 1/10W
C607	404 047 1707	ELECT 220U M 400V	R003	401 037 5400	MT-GLAZE 1K JA 1/10W
	404 069 5905	ELECT 220U M 400V	R004	401 037 9200	MT-GLAZE 1.8K JA 1/10W
C613	403 061 8303	POLYESTER 4700P K 50V	R005	401 019 9600	CARBON 47 JA 1/4W
	403 179 1104	POLYESTER 4700P K 50V	R006	401 014 4105	CARBON 1.5K JA 1/4W
C614	403 270 2901	MT-POLYEST 0.1U K 63V	R007	401 019 9600	CARBON 47 JA 1/4W
	403 237 8007	MT-COMPO 0.1U J 50V	R008	401 014 4105	CARBON 1.5K JA 1/4W
C615	403 058 2604	POLYESTER 0.015U J 50V	R009	401 010 1504	CARBON 4.7 JA 1/2W
	403 179 3207	POLYESTER 0.015U J 50V	R010	401 010 1504	CARBON 4.7 JA 1/2W
C616	403 165 8407	CERAMIC 680P K 2K	R011	401 007 7601	CARBON 150 JA 1/2W
	403 232 2109	CERAMIC 680P K 2K	R012	401 007 7601	CARBON 150 JA 1/2W
C617	403 179 1718	POLYESTER 0.033U J 50V	R013	401 037 6704	MT-GLAZE 1.2K JA 1/10W
Δ C631	404 060 6505	CERAMIC 2200P M 400V	R014	401 025 7409	CARBON 220 JA 1/6W
	404 071 4200	CERAMIC 2200P M 400V	R015	401 037 5400	MT-GLAZE 1K JA 1/10W
	404 060 6604	CERAMIC 2200P M 400V	R016	401 038 6505	MT-GLAZE 47K JA 1/10W
Δ C632	404 044 2806	CERAMIC 470P K 400V	R017	401 037 5608	MT-GLAZE 10K JA 1/10W
	404 071 4606	CERAMIC 470P K 400V	R100	401 037 5004	MT-GLAZE 0.000 ZA 1/10W
	404 060 6901	CERAMIC 470P M 400V	R1001	401 038 7601	MT-GLAZE 560 JA 1/10W
C640	403 069 8305	CERAMIC 0.01U Z 50V	R1002	401 038 0701	MT-GLAZE 2.2K JA 1/10W
C641	403 165 9305	CERAMIC 680P K 1K	R1003	401 038 7601	MT-GLAZE 560 JA 1/10W
	403 262 4401	CERAMIC 680P K 1K	R1004	401 038 0701	MT-GLAZE 2.2K JA 1/10W
C642A	404 042 4505	ELECT 220U M 160V	R1005	401 027 6608	CARBON 75 JA 1/6W
C643	403 148 2002	ELECT 470U M 35V	R1006	401 038 5300	MT-GLAZE 39K JA 1/10W
C644	403 148 0701	ELECT 2200U M 25V	R1007	401 038 3702	MT-GLAZE 33K JA 1/10W
C645	403 158 1309	ELECT 2200U M 35V	R1008	401 027 6608	CARBON 75 JA 1/6W
C647	403 069 9500	CERAMIC 0.01U Z 50V	R1009	401 027 6608	CARBON 75 JA 1/6W
C651	403 148 0305	ELECT 470U M 16V	R101	401 038 6218	MT-GLAZE 47 JA 1/10W
C652	403 069 9500	CERAMIC 0.01U Z 50V	R1010	401 027 6608	CARBON 75 JA 1/6W
C653	403 043 9106	ELECT 47U M 16V	R1011	401 037 5202	MT-GLAZE 100 JA 1/10W
C655	403 126 4400	ELECT 100U M 10V	R1012	401 027 6608	CARBON 75 JA 1/6W
C661	403 051 0607	ELECT 4.7U M 50V	R1013	401 024 6700	CARBON 100 JA 1/6W
C681	403 190 4702	ELECT 1000U M 25V	R1014	401 027 6608	CARBON 75 JA 1/6W
C682	403 069 9500	CERAMIC 0.01U Z 50V	R1015	401 038 6406	MT-GLAZE 4.7K JA 1/10W
C683	403 147 9606	ELECT 1000U M 10V	R1016	401 019 1000	CARBON 390 JA 1/4W

Ref. No.	Part No.	Description	Ref. No.	Part No.	Description
R1017	401 024 7400	CARBON 10K JA 1/6W	R151	401 022 1905	CARBON 680 JA 1/4W
R1018	401 038 3504	MT-GLAZE 330 JA 1/10W	R152	401 025 7409	CARBON 220 JA 1/6W
R1021	401 038 7601	MT-GLAZE 560 JA 1/10W	R153	401 037 5400	MT-GLAZE 1K JA 1/10W
R1022	401 038 0701	MT-GLAZE 2.2K JA 1/10W	R154	401 038 3603	MT-GLAZE 3.3K JA 1/10W
R1023	401 038 7601	MT-GLAZE 560 JA 1/10W	R155	401 037 5400	MT-GLAZE 1K JA 1/10W
R1024	401 038 0701	MT-GLAZE 2.2K JA 1/10W	R156	401 037 5400	MT-GLAZE 1K JA 1/10W
R1025	401 038 5300	MT-GLAZE 39K JA 1/10W	R157	401 039 0908	MT-GLAZE 910 JA 1/10W
R1026	401 038 3702	MT-GLAZE 33K JA 1/10W	R158	401 037 5400	MT-GLAZE 1K JA 1/10W
R1027	401 027 6608	CARBON 75 JA 1/6W	R159	401 022 1905	CARBON 680 JA 1/4W
R1028	401 027 6608	CARBON 75 JA 1/6W	R161	401 026 3905	CARBON 330 JA 1/6W
R1029	401 025 1308	CARBON 150 JA 1/6W	R162	401 037 9101	MT-GLAZE 180 JA 1/10W
R1031	401 038 0612	MT-GLAZE 220 JA 1/10W	R163	401 038 6505	MT-GLAZE 47K JA 1/10W
R1032	401 038 0612	MT-GLAZE 220 JA 1/10W	R164	401 038 6406	MT-GLAZE 4.7K JA 1/10W
R1033	401 038 0612	MT-GLAZE 220 JA 1/10W	R165	401 037 7909	MT-GLAZE 1.5K JA 1/10W
R1041	401 038 2200	MT-GLAZE 27K JA 1/10W	R166	401 020 2053	CARBON 4.7K JA 1/4W
R1042	401 037 5608	MT-GLAZE 10K JA 1/10W	R171	401 038 6307	MT-GLAZE 470 JA 1/10W
R1043	401 039 0304	MT-GLAZE 820 JA 1/10W	R172	401 025 7409	CARBON 220 JA 1/6W
R1044	401 039 0304	MT-GLAZE 820 JA 1/10W	R173	401 025 7409	CARBON 220 JA 1/6W
R1045	401 037 5400	MT-GLAZE 1K JA 1/10W	R1900	401 038 7809	MT-GLAZE 56K JA 1/10W
R1046	401 038 0701	MT-GLAZE 2.2K JA 1/10W	R1901	401 037 8005	MT-GLAZE 15K JA 1/10W
R1047	401 037 6704	MT-GLAZE 1.2K JA 1/10W	R1901A	401 037 5004	MT-GLAZE 0.000 ZA 1/10W
R1051	401 037 8104	MT-GLAZE 150K JA 1/10W	R1902	401 039 0403	MT-GLAZE 8.2K JA 1/10W
R1052	401 037 5707	MT-GLAZE 100K JA 1/10W	R1902A	401 037 5004	MT-GLAZE 0.000 ZA 1/10W
R1053	401 037 6704	MT-GLAZE 1.2K JA 1/10W	R1903	401 038 6406	MT-GLAZE 4.7K JA 1/10W
R1054	401 037 8104	MT-GLAZE 150K JA 1/10W	R1903A	401 037 5004	MT-GLAZE 0.000 ZA 1/10W
R1055	401 037 5707	MT-GLAZE 100K JA 1/10W	R1904	401 038 2101	MT-GLAZE 2.7K JA 1/10W
R1056	401 037 6704	MT-GLAZE 1.2K JA 1/10W	R1905	401 038 0701	MT-GLAZE 2.2K JA 1/10W
R108	401 037 5004	MT-GLAZE 0.000 ZA 1/10W	R1906	401 037 5004	MT-GLAZE 0.000 ZA 1/10W
R110	401 038 3702	MT-GLAZE 33K JA 1/10W	R1907	401 037 5608	MT-GLAZE 10K JA 1/10W
R1101	401 027 6608	CARBON 75 JA 1/6W	R1908	401 038 3504	MT-GLAZE 330 JA 1/10W
R1102	401 037 7800	MT-GLAZE 150 JA 1/10W	R1909	401 037 7909	MT-GLAZE 1.5K JA 1/10W
R1103	401 038 0701	MT-GLAZE 2.2K JA 1/10W	R1911	401 038 6307	MT-GLAZE 470 JA 1/10W
R1104	401 038 0701	MT-GLAZE 2.2K JA 1/10W	R1921	401 037 6605	MT-GLAZE 120 JA 1/10W
R1105	401 037 5707	MT-GLAZE 100K JA 1/10W	R1922	401 038 5003	MT-GLAZE 390 JA 1/10W
R1106	401 037 5707	MT-GLAZE 100K JA 1/10W	R1924	401 027 5502	CARBON 6.8K JA 1/6W
R1111	401 037 5608	MT-GLAZE 10K JA 1/10W	R2001	401 038 2200	MT-GLAZE 27K JA 1/10W
R1200	401 022 1905	CARBON 680 JA 1/4W	R2002	401 037 5608	MT-GLAZE 10K JA 1/10W
R1201	401 038 6505	MT-GLAZE 47K JA 1/10W	R2004	401 037 7800	MT-GLAZE 150 JA 1/10W
R1202	401 038 6505	MT-GLAZE 47K JA 1/10W	R2005	401 024 9701	CARBON 12K JA 1/6W
R1203	401 037 5608	MT-GLAZE 10K JA 1/10W	R202	401 037 5707	MT-GLAZE 100K JA 1/10W
R1204	401 038 2200	MT-GLAZE 27K JA 1/10W	R203	401 024 6700	CARBON 100 JA 1/6W
R1205	401 038 2200	MT-GLAZE 27K JA 1/10W	R204	401 024 6700	CARBON 100 JA 1/6W
R1206	401 038 6505	MT-GLAZE 47K JA 1/10W	R205	401 024 6700	CARBON 100 JA 1/6W
R1207	401 024 7400	CARBON 10K JA 1/6W	R206	401 037 5202	MT-GLAZE 100 JA 1/10W
R1208	401 038 0800	MT-GLAZE 22K JA 1/10W	R207	401 037 5202	MT-GLAZE 100 JA 1/10W
R1209	401 024 7400	CARBON 10K JA 1/6W	R208	401 037 5202	MT-GLAZE 100 JA 1/10W
R121	401 027 0309	CARBON 47K JA 1/6W	R211	401 038 0800	MT-GLAZE 22K JA 1/10W
R131	401 038 0909	MT-GLAZE 220K JA 1/10W	R212	401 017 1844	CARBON 2K7 JA 1/4W
R132	401 038 0909	MT-GLAZE 220K JA 1/10W	R213	401 038 7710	MT-GLAZE 5.6K JA 1/10W
R133	401 037 9101	MT-GLAZE 180 JA 1/10W	R214	401 037 5202	MT-GLAZE 100 JA 1/10W
R134	401 039 0413	MT-GLAZE 8.2K JA 1/10W	R215	401 038 3702	MT-GLAZE 33K JA 1/10W
R135	401 038 0810	MT-GLAZE 22K JA 1/10W	R216	401 025 8208	CARBON 22K JA 1/6W
R136	401 037 6803	MT-GLAZE 12K JA 1/10W	R217	401 025 8208	CARBON 22K JA 1/6W
R137	401 037 5202	MT-GLAZE 100 JA 1/10W	R218	401 038 7809	MT-GLAZE 56K JA 1/10W
R138	401 038 7700	MT-GLAZE 5.6K JA 1/10W	R223	401 014 6109	CARBON 150K JA 1/4W
R141	401 038 9209	MT-GLAZE 6.8K JA 1/10W	R224	401 024 7004	CARBON 1K JA 1/6W
R142	401 038 7700	MT-GLAZE 5.6K JA 1/10W	R226	401 026 7408	CARBON 39K JA 1/6W
R143	401 027 2600	CARBON 5.6K JA 1/6W	R227	401 024 7400	CARBON 10K JA 1/6W
R144	401 037 5400	MT-GLAZE 1K JA 1/10W	R231	401 037 7800	MT-GLAZE 150 JA 1/10W
R145	401 038 0800	MT-GLAZE 22K JA 1/10W	R232	401 037 5202	MT-GLAZE 100 JA 1/10W
R147	401 027 0309	CARBON 47K JA 1/6W	R271	401 024 6700	CARBON 100 JA 1/6W
R149	401 038 0800	MT-GLAZE 22K JA 1/10W	R272	401 024 9008	CARBON 120 JA 1/6W
R150	401 024 7004	CARBON 1K JA 1/6W	R351	401 037 5202	MT-GLAZE 100 JA 1/10W

Ref. No.	Part No.	Description	Ref. No.	Part No.	Description
R353	401 038 0909	MT-GLAZE 220K JA 1/10W	R800	401 025 7805	CARBON 2.2K JA 1/6W
R356	401 037 5202	MT-GLAZE 100 JA 1/10W	R801	401 037 5004	MT-GLAZE 0.000 ZA 1/10W
R357	401 037 8005	MT-GLAZE 15K JA 1/10W	R802	401 038 0701	MT-GLAZE 2.2K JA 1/10W
R361	401 038 5409	MT-GLAZE 390K JA 1/10W	R803	401 037 9408	MT-GLAZE 180K JA 1/10W
R363	401 038 0800	MT-GLAZE 22K JA 1/10W	R804	401 024 7400	CARBON 10K JA 1/6W
R364	401 037 5202	MT-GLAZE 100 JA 1/10W	R806	401 024 7400	CARBON 10K JA 1/6W
R365	401 038 6406	MT-GLAZE 4.7K JA 1/10W	R807	401 024 7400	CARBON 10K JA 1/6W
R431	401 038 3504	MT-GLAZE 330 JA 1/10W	R808	401 019 1901	CARBON 3.9K JA 1/4W
R432	401 038 3504	MT-GLAZE 330 JA 1/10W	R811	401 025 7805	CARBON 2.2K JA 1/6W
R433	401 010 3102	CARBON 470 JA 1/2W	R812	401 038 5102	MT-GLAZE 3.9K JA 1/10W
△ R434	401 067 9201	OXIDE-MT 390 JA 2W	R813	401 026 4605	CARBON 33K JA 1/6W
△ R435	402 069 8704	WIRE WOUND 8.2 KA 7W	R815	401 024 6700	CARBON 100 JA 1/6W
	402 076 0609	WIRE WOUND 8.2 KA 7W	R816	401 037 5608	MT-GLAZE 10K JA 1/10W
R436	401 021 3009	CARBON 5.6K JA 1/4W	R817A	401 039 0413	MT-GLAZE 8.2K JA 1/10W
△ R441	401 058 3706	OXIDE-MT 1K JA 1W	R818	401 037 5707	MT-GLAZE 100K JA 1/10W
R447	401 026 9907	CARBON 4.7K JA 1/6W	R819	401 025 7805	CARBON 2.2K JA 1/6W
R448	401 009 5803	CARBON 330 JA 1/2W	R820	401 037 5608	MT-GLAZE 10K JA 1/10W
△ R451	401 064 5701	OXIDE-MT 1.8 JA 2W	R821	401 038 0800	MT-GLAZE 22K JA 1/10W
R481	401 025 4903	CARBON 180K JA 1/6W	R822	401 038 6505	MT-GLAZE 47K JA 1/10W
R482	401 027 2600	CARBON 5.6K JA 1/6W	R823	401 013 5341	CARBON 1.2K JA 1/4W
R501	401 026 9907	CARBON 4.7K JA 1/6W	R824	401 038 0701	MT-GLAZE 2.2K JA 1/10W
△ R502	402 051 8705	FUSIBLE RES 4.7 J- 1/2W	R825	401 038 3603	MT-GLAZE 3.3K JA 1/10W
R504	401 027 3003	CARBON 56K JA 1/6W	R831	401 038 0800	MT-GLAZE 22K JA 1/10W
R505	401 024 7400	CARBON 10K JA 1/6W	R832	401 037 5608	MT-GLAZE 10K JA 1/10W
R506	401 025 1605	CARBON 1.5K JA 1/6W	R833	401 038 0800	MT-GLAZE 22K JA 1/10W
R507	401 025 3807	CARBON 180 JA 1/6W	R834	401 038 0800	MT-GLAZE 22K JA 1/10W
R508	401 025 7805	CARBON 2.2K JA 1/6W	R835	401 037 5400	MT-GLAZE 1K JA 1/10W
△ R509	401 057 9105	OXIDE-MT 1.2 JA 1W	R836	401 038 0800	MT-GLAZE 22K JA 1/10W
△ R511	401 060 7402	OXIDE-MT 270 JA 1W	R837	401 037 5400	MT-GLAZE 1K JA 1/10W
△ R513	401 059 3903	OXIDE-MT 1.5K JA 1W	R838	401 037 8005	MT-GLAZE 15K JA 1/10W
△ R602	402 067 7709	WIRE WOUND 3.9 KA 7W	R839	401 026 4605	CARBON 33K JA 1/6W
	402 072 4403	WIRE WOUND 3.9 KA 7W	R840	401 026 9600	CARBON 470 JA 1/6W
R611	401 027 2600	CARBON 5.6K JA 1/6W	R841	401 038 0800	MT-GLAZE 22K JA 1/10W
R615	401 025 8208	CARBON 22K JA 1/6W	R842	401 026 9907	CARBON 4.7K JA 1/6W
R617	401 024 9305	CARBON 1.2K JA 1/6W	R843	401 037 5608	MT-GLAZE 10K JA 1/10W
R619	401 016 1508	CARBON 22 JA 1/4W	R844	401 038 5102	MT-GLAZE 3.9K JA 1/10W
R620	401 007 5805	CARBON 120K JA 1/2W	R845	401 037 5608	MT-GLAZE 10K JA 1/10W
R621	401 007 5805	CARBON 120K JA 1/2W	R846	401 038 6406	MT-GLAZE 4.7K JA 1/10W
R622	401 014 5201	CARBON 15K JA 1/4W	R847	401 037 5608	MT-GLAZE 10K JA 1/10W
R623	401 025 7805	CARBON 2.2K JA 1/6W	R848	401 038 6406	MT-GLAZE 4.7K JA 1/10W
△ R624	401 068 6902	OXIDE-MT 56 JA 2W	R851	401 037 5400	MT-GLAZE 1K JA 1/10W
△ R625	401 067 8204	OXIDE-MT 39 JA 2W	R852	401 037 5400	MT-GLAZE 1K JA 1/10W
R626	401 016 3304	CARBON 2.2K GA 1/4W	R853	401 038 0800	MT-GLAZE 22K JA 1/10W
△ R631	402 000 8305	SOLID 5.6M KA 1/2W	R861	401 038 2101	MT-GLAZE 2.7K JA 1/10W
△ R632	402 000 8305	SOLID 5.6M KA 1/2W	R862	401 038 0800	MT-GLAZE 22K JA 1/10W
R641	401 012 8105	CARBON 100K JA 1/4W	R863	401 038 0800	MT-GLAZE 22K JA 1/10W
R642	401 026 9907	CARBON 4.7K JA 1/6W	R864	401 039 0304	MT-GLAZE 820 JA 1/10W
R643	401 014 6109	CARBON 150K JA 1/4W	R865	401 038 0711	MT-GLAZE 2.2K JA 1/10W
R644	401 010 4307	CARBON 47K JA 1/2W	R866	401 038 0711	MT-GLAZE 2.2K JA 1/10W
R645	401 025 8208	CARBON 22K JA 1/6W	R867	401 038 0711	MT-GLAZE 2.2K JA 1/10W
△ R646	402 067 3305	WIRE WOUND 4.7 KA 5W	R868	401 037 6704	MT-GLAZE 1.2K JA 1/10W
	402 075 5704	WIRE WOUND 4.7 KA 5W	R869	401 038 2200	MT-GLAZE 27K JA 1/10W
△ R652	401 069 5607	OXIDE-MT 8.2 JA 2W	R870A	401 038 0800	MT-GLAZE 22K JA 1/10W
△ R653	401 066 9103	OXIDE-MT 27 JA 2W	R871	401 038 6406	MT-GLAZE 4.7K JA 1/10W
△ R655	401 065 5809	OXIDE-MT 15 JA 2W	R872	401 038 3702	MT-GLAZE 33K JA 1/10W
R656	401 026 9600	CARBON 470 JA 1/6W	R873	401 038 6406	MT-GLAZE 4.7K JA 1/10W
R657	401 007 6901	CARBON 15 JA 1/2W	R874	401 037 5608	MT-GLAZE 10K JA 1/10W
△ R661	401 068 4700	OXIDE-MT 4.7K JA 2W	R875	401 038 7700	MT-GLAZE 5.6K JA 1/10W
△ R662	401 068 0207	OXIDE-MT 3.9K JA 2W	R876	401 037 5608	MT-GLAZE 10K JA 1/10W
R681	401 008 1608	CARBON 1.8K JA 1/2W	R877	401 039 0403	MT-GLAZE 8.2K JA 1/10W
△ R682	401 069 1708	OXIDE-MT 68 JA 2W	R878	401 037 7909	MT-GLAZE 1.5K JA 1/10W
R684	401 027 8602	CARBON 8.2K JA 1/6W	R879	401 037 5608	MT-GLAZE 10K JA 1/10W
R685	401 025 8208	CARBON 22K JA 1/6W	R880	401 038 6505	MT-GLAZE 47K JA 1/10W

Ref. No.	Part No.	Description	Ref. No.	Part No.	Description
R884	401 037 7800	MT-GLAZE 150 JA 1/10W	L441A	610 000 0605	LINEARITY COIL
R885	401 038 5102	MT-GLAZE 3.9K JA 1/10W		610 210 8071	LINEARITY COIL
R886	401 037 7800	MT-GLAZE 150 JA 1/10W	L442	610 000 0278	COIL
R887	401 038 5102	MT-GLAZE 3.9K JA 1/10W		610 205 1117	COIL
R888	401 037 5202	MT-GLAZE 100 JA 1/10W	L501	645 008 5642	INDUCTOR,3.3U K
R889	401 037 5202	MT-GLAZE 100 JA 1/10W	△ L601	645 012 3337	LINE FILTER
R891	401 038 6406	MT-GLAZE 4.7K JA 1/10W	L607	610 237 1000	PIPE CORE
R892	401 038 6406	MT-GLAZE 4.7K JA 1/10W	L608	610 237 1000	PIPE CORE
R893	401 037 5400	MT-GLAZE 1K JA 1/10W	L641	645 002 1787	CORE,PIPE
R894	401 037 5400	MT-GLAZE 1K JA 1/10W	L642	645 002 1787	CORE,PIPE
R895	401 037 6704	MT-GLAZE 1.2K JA 1/10W	L643	645 002 1787	CORE,PIPE
R896	401 038 6505	MT-GLAZE 47K JA 1/10W	L871	645 008 0203	INDUCTOR,5.6U K
R897	401 024 7004	CARBON 1K JA 1/6W	L881	645 001 4697	INDUCTOR,1.5U M
R898	401 024 7004	CARBON 1K JA 1/6W			
VARIABLE RESISTOR			DIODE		
VC141	645 004 2263	TRIMMER,10PF	D1005	407 063 8309	ZENER DIODE MTZJ11C
VR131	645 003 5531	VR 10K ALPS		407 158 3400	ZENER DIODE UZ-11BSC
VR361	645 003 5531	VR 10K ALPS	D1007	407 063 8309	ZENER DIODE MTZJ11C
VR501	645 006 5231	VR 100 ALPS		407 158 3400	ZENER DIODE UZ-11BSC
VR641	645 003 5579	VR 2.2K ALPS	D1008	407 063 8309	ZENER DIODE MTZJ11C
				407 158 3400	ZENER DIODE UZ-11BSC
TRANSFORMER			D1010	407 063 8309	ZENER DIODE MTZJ11C
T101	610 037 4508	S COIL		407 158 3400	ZENER DIODE UZ-11BSC
T141	610 037 4522	S COIL	D1011	407 063 8309	ZENER DIODE MTZJ11C
T431	610 000 1053	DRIVE TRANS		407 158 3400	ZENER DIODE UZ-11BSC
	610 000 1060	DRIVE TRANS	D1021	407 063 8309	ZENER DIODE MTZJ11C
△ T451	645 035 5295	TRANS,FLYBACK		407 158 3400	ZENER DIODE UZ-11BSC
△ T611	645 015 7646	TRANS,POWER,PULSE	D1022	407 063 8309	ZENER DIODE MTZJ11C
	645 018 9425	TRANS,POWER,PULSE		407 158 3400	ZENER DIODE UZ-11BSC
△ T681	610 033 3758	POWER TRANS	D1023	407 063 8309	ZENER DIODE MTZJ11C
	610 240 4722	POWER TRANS		407 158 3400	ZENER DIODE UZ-11BSC
COIL			D1024	407 063 8309	ZENER DIODE MTZJ11C
L001	645 008 5635	INDUCTOR,12U K		407 158 3400	ZENER DIODE UZ-11BSC
L002	645 008 5635	INDUCTOR,12U K	D1026	407 063 8309	ZENER DIODE MTZJ11C
L003	645 002 1787	CORE,PIPE		407 158 3400	ZENER DIODE UZ-11BSC
L1002	645 002 1787	CORE,PIPE	D1027	407 063 8309	ZENER DIODE MTZJ11C
L1003	645 001 4567	INDUCTOR,10U K		407 158 3400	ZENER DIODE UZ-11BSC
L1004	645 001 4567	INDUCTOR,10U K	D1101	407 063 8309	ZENER DIODE MTZJ11C
L1005	645 001 4567	INDUCTOR,10U K		407 158 3400	ZENER DIODE UZ-11BSC
L1006	645 001 4567	INDUCTOR,10U K	D1201	407 053 6803	ZENER DIODE MTZ5.6C
L101	645 001 4567	INDUCTOR,10U K		407 057 0104	ZENER DIODE RD5.6EB3
L102	645 008 2863	INDUCTOR,4.7U K		407 151 8501	ZENER DIODE UZ-5.6BCC
L1022	645 002 1787	CORE,PIPE	D131	407 012 4406	DIODE 1SS133
L1023	645 001 4567	INDUCTOR,10U K		407 012 5809	DIODE 1SS176
L1024	645 001 4567	INDUCTOR,10U K	D135	407 063 8309	ZENER DIODE MTZJ11C
L1025	645 001 4567	INDUCTOR,10U K		407 158 3400	ZENER DIODE UZ-11BSC
L1026	645 001 4567	INDUCTOR,10U K	D141	407 088 2623	DIODE 1SS265
L1027	645 008 2863	INDUCTOR,4.7U K	D161	407 012 4406	DIODE 1SS133
L1101	645 001 4567	INDUCTOR,10U K		407 012 5809	DIODE 1SS176
L1102	645 001 4567	INDUCTOR,10U K	D1901-1	610 269 4710	HOLDER LED A-G2CA
L1103	645 008 2863	INDUCTOR,4.7U K	D1901A	407 116 6504	LED SLP-181B-51
L141	645 001 4567	INDUCTOR,10U K	D1903	407 063 8309	ZENER DIODE MTZJ11C
L151	645 001 4567	INDUCTOR,10U K		407 158 3400	ZENER DIODE UZ-11BSC
L152	645 003 9782	INDUCTOR,22U K	D1905	407 012 4406	DIODE 1SS133
L201	645 001 4567	INDUCTOR,10U K		407 012 5809	DIODE 1SS176
L202	645 001 4567	INDUCTOR,10U K	D201	407 063 8309	ZENER DIODE MTZJ11C
L203	645 001 4567	INDUCTOR,10U K		407 158 3400	ZENER DIODE UZ-11BSC
L231	645 008 2863	INDUCTOR,4.7U K	D202	407 063 8309	ZENER DIODE MTZJ11C
L232	645 008 2863	INDUCTOR,4.7U K		407 158 3400	ZENER DIODE UZ-11BSC
L271	645 001 4567	INDUCTOR,10U K	D203	407 063 8309	ZENER DIODE MTZJ11C
L432	645 002 1787	CORE,PIPE		407 158 3400	ZENER DIODE UZ-11BSC
			D210	407 012 4406	DIODE 1SS133
				407 012 5809	DIODE 1SS176

Ref. No.	Part No.	Description	Ref. No.	Part No.	Description
D221	407 012 4406	DIODE 1SS133	△ D644	407 166 2303	DIODE ERC91-02L
	407 012 5809	DIODE 1SS176	D645	407 053 7206	ZENER DIODE MTZ6.2C
D222	407 005 4505	DIODE DS442X		407 053 7503	ZENER DIODE MTZ6.8A
	407 013 1008	DIODE 1S1553		407 057 2801	ZENER DIODE RD6.2EB3
	407 013 4306	DIODE 1S2076A		407 057 4003	ZENER DIODE RD6.8EB1
	407 013 6508	DIODE 1S2471	D647	407 012 4406	DIODE 1SS133
D271	407 053 6407	ZENER DIODE MTZ5.1C		407 012 5809	DIODE 1SS176
	407 056 8200	ZENER DIODE RD5.1EB3	D651	407 005 7328	DIODE EM01Z
	407 163 8209	ZENER DIODE UZ-5.1BCC	D652	407 053 6803	ZENER DIODE MTZ5.6C
D361	407 063 8309	ZENER DIODE MTZJ11C		407 057 0104	ZENER DIODE RD5.6EB3
	407 158 3400	ZENER DIODE UZ-11BSC		407 151 8501	ZENER DIODE UZ-5.6BCC
D431	407 053 8708	ZENER DIODE MTZ9.1A	D654	407 012 4406	DIODE 1SS133
	407 053 8807	ZENER DIODE MTZ9.1B		407 012 5809	DIODE 1SS176
	407 057 9602	ZENER DIODE RD9.1EB1	D655	407 012 4406	DIODE 1SS133
	407 057 9701	ZENER DIODE RD9.1EB2		407 012 5809	DIODE 1SS176
	407 163 9909	ZENER DIODE UZ-9.1BCA	D661	409 013 0104	IC HZT33
	407 162 2703	ZENER DIODE UZ-9.1BCB		409 026 8005	IC L5630
D432	407 005 7308	DIODE EM01Z		409 057 5103	IC UPC574J
D442	407 005 4505	DIODE DS442X	D681	407 005 7308	DIODE EM01Z
	407 013 1008	DIODE 1S1553	D682	407 053 6803	ZENER DIODE MTZ5.6C
	407 013 4306	DIODE 1S2076A		407 057 0104	ZENER DIODE RD5.6EB3
	407 013 6508	DIODE 1S2471		407 151 8501	ZENER DIODE UZ-5.6BCC
D445	407 012 4406	DIODE 1SS133	D683	407 005 7308	DIODE EM01Z
	407 012 5809	DIODE 1SS176	D684	408 007 8607	DIODE 1N4148
D446	407 151 9003	ZENER DIODE UZ-7.5BCC		407 013 1206	DIODE 1S1555
	407 151 9102	ZENER DIODE UZ-8.2BCA	D685	407 012 4406	DIODE 1SS133
D481	407 007 7405	DIODE EU1		407 012 5809	DIODE 1SS176
D482	407 012 4406	DIODE 1SS133	D831	407 005 4505	DIODE DS442X
	407 012 5809	DIODE 1SS176		407 013 1008	DIODE 1S1553
D501	407 005 7308	DIODE EM01Z		407 013 4306	DIODE 1S2076A
	408 009 9008	DIODE BYD33D		407 013 6508	DIODE 1S2471
D502	407 118 2207	ZENER DIODE 1Z75	D861	407 012 4406	DIODE 1SS133
D603	407 006 6300	DIODE ERC05-10B		407 012 5809	DIODE 1SS176
	407 009 6901	DIODE RM11C	D871	407 012 4406	DIODE 1SS133
D604	407 006 6300	DIODE ERC05-10B		407 012 5809	DIODE 1SS176
	407 009 6901	DIODE RM11C	D872	407 055 7907	ZENER DIODE RD3.6EL
D605	407 006 6300	DIODE ERC05-10B			
	407 009 6901	DIODE RM11C			
D606	407 006 6300	DIODE ERC05-10B			
	407 009 6901	DIODE RM11C			
D614	407 005 4505	DIODE DS442X			
	407 013 1008	DIODE 1S1553			
	407 013 4306	DIODE 1S2076A			
	407 013 6508	DIODE 1S2471			
△ D615	407 105 8700	PHOTO COUPLE PC113B			
	408 009 8407	PHOTO COUPLE CNY17F-3OPT6			
D616	407 005 4505	DIODE DS442X			
	407 013 1008	DIODE 1S1553			
	407 013 4306	DIODE 1S2076A			
	407 013 6508	DIODE 1S2471			
D617	407 007 6606	DIODE ES1			
	407 007 6903	DIODE ES1Z			
	408 009 9008	DIODE BYD33D			
D618	407 005 4505	DIODE DS442X			
	407 013 1008	DIODE 1S1553			
	407 013 4306	DIODE 1S2076A			
	407 013 6508	DIODE 1S2471			
D619	407 053 3000	ZENER DIODE MTZ11C			
	407 054 1807	ZENER DIODE RD11EB3			
D641	407 007 7702	DIODE EU2A			
D642	407 007 7603	DIODE EU2			
	407 007 7801	DIODE EU2Z			
△ D643	407 166 2303	DIODE ERC91-02L			

MISCELLANEOUS

△ F601	423 022 2102	FUSE 250V 4A
F601A	645 000 5077	HOLDER,FUSE
F601B	645 000 5077	HOLDER,FUSE
A101	645 023 4118	TUNER,U/V
A1901	645 007 1546	UNIT,REMOCON RECEIVER
	610 224 5806	RC PREAMP 409-1L
J194	401 0375 014	MT-GLAZE 0.000 ZA 1/10W
J225	401 0375 014	MT-GLAZE 0.000 ZA 1/10W
J226	401 0375 014	MT-GLAZE 0.000 ZA 1/10W
KX	645 008 4058	TERMINAL PLUG
K001	645 005 5706	JACK,PHONE D3.6
	645 006 4708	JACK,PHONE D3.6
K10B	645 004 2911	PLUG,5P
K1001	645 005 5867	SOCKET,RGB 21P
	610 234 3779	SOCKET 21P
K1001Z	610 261 2813	MOUNTING-BRKT F2WV
K1002	645 005 5867	SOCKET,RGB 21P
	610 234 3779	SOCKET 21P
K1002Z	610 261 2813	MOUNTING-BRKT F2WV
K11A	645 004 2881	PLUG,2P
K1101	645 016 6433	JACK,RCA-3
△ PS601	408 003 6805	THERMISTOR 902P44E180MR14
	408 015 1904	THERMISTOR PA3A5180B270
SW1901	610 011 4432	SWITCH,PUSH
SW1902	610 011 4432	SWITCH,PUSH

Ref. No.	Part No.	Description	Ref. No.	Part No.	Description
SW1903	610 011 4432	SWITCH,PUSH	R721	401 026 3925	CARBON 330 JA 1/6W
SW1904	610 011 4432	SWITCH,PUSH	R722	401 026 7022	CARBON 3K9 JA 1/6W
SW501	610 011 2728	SWITCH,LEVER 1P-3T	R723	401 025 4220	CARBON 1K8 JA 1/6W
△ SW601	645 017 0928	SWITCH,PUSH POWER 2P-2T	△ R724	401 065 4604	OXIDE-MT 12K JA 2W
X131	421 002 2609	SAW F TSF5315	R725	401 009 6622	CARBON 3.3K JA 1/2W
	421 003 3902	SAW F TSF5315U	R727	401 026 9620	CARBON 470 JA 1/6W
X151	610 015 2854	TRAP,CERAMIC 5.5MHZ	R741	401 026 9927	CARBON 4K7 JA 1/6W
X152	610 015 3011	TRAP,CERAMIC 6.5MHZ	R742	401 026 4328	CARBON 3K3 JA 1/6W
X161	645 003 2813	CERAMIC FILTER	R744	401 026 0627	CARBON 270 JA 1/6W
X201	645 025 2631	OSC,CRYSTAL 4.43MHZ	R752	401 024 7430	CARBON 10K JA 1/6W
X202	4AA4V1E043XCB	CRYSTAL OSC 5MM 3	R753	401 024 7430	CARBON 10K JA 1/6W
X871	645 018 9593	OSC,CRYSTAL 12MHZ			
	645 015 8339	OSC,CRYSTAL 12MHZ			
1AA0B10H03500 ASSY,PWB,CRT-MK2			VARIABLE RESISTOR		
TRANSISTOR			VR701	645 003 5722	VR,SEMI,4.7K N
Q701	405 041 6507	TR 2SC2621-D-RA	VR702	645 003 5647	VR,SEMI,1K N
	405 041 6705	TR 2SC2621-E-RA	VR711	645 003 5722	VR,SEMI,4.7K N
	405 066 9903	TR 2SC2688(1)-K	VR712	645 003 5647	VR,SEMI,1K N
	405 067 0008	TR 2SC2688(1)-L	VR721	645 003 5722	VR,SEMI,4.7K N
	405 067 0107	TR 2SC2688(1)-M			
Q711	405 041 6507	TR 2SC2621-D-RA	COIL		
	405 041 6705	TR 2SC2621-E-RA	L701	645 007 9856	PEAKING COIL 220UH K
	405 066 9903	TR 2SC2688(1)-K	L711	645 007 9856	PEAKING COIL 220UH K
	405 067 0008	TR 2SC2688(1)-L	L721	645 007 9856	PEAKING COIL 220UH K
	405 067 0107	TR 2SC2688(1)-M			
Q721	405 041 6507	TR 2SC2621-D-RA	DIODE		
	405 041 6705	TR 2SC2621-E-RA	D701	407 012 4416	DIODE 1SS133-T-77
	405 066 9903	TR 2SC2688(1)-K	D711	407 012 4416	DIODE 1SS133-T-77
	405 067 0008	TR 2SC2688(1)-L	D721	407 012 4416	DIODE 1SS133-T-77
	405 067 0107	TR 2SC2688(1)-M	D751	407 012 4416	DIODE 1SS133-T-77
Q740	406 007 1901	TR JC556A	MISCELLANEOUS		
	406 007 1802	TR JC556B	K7M	645 008 4058	TERMINAL PLUG
	405 004 4205	TR 2SA608-E-CTV-NP	K7P	645 008 7288	HOUSING PLUG 5P
	405 004 4809	TR 2SA608-F-CTV-NP	K7Q	645 008 7264	HOUSING PLUG 3P
	405 028 7909	TR 2SA608-G-CTV-NP	△ K701	645 031 7699	CRT SKT. HPS-014103
Q751	406 007 1901	TR JC556A	1AA0B10E3250A ASSY,PWB,SIF F3SL		
	406 007 1802	TR JC556B	TRANSISTOR		
	405 004 4205	TR 2SA608-E-CTV-NP	Q3851	405 015 9701	TR 2SC2814-F4-TA
	405 004 4809	TR 2SA608-F-CTV-NP		405 015 9909	TR 2SC2814-F5-TA
	405 028 7909	TR 2SA608-G-CTV-NP	Q3852	405 109 4407	TR BC848-B
				405 015 8704	TR 2SC2812-L6-TA
			Q3853	405 109 4407	TR BC848-B
				405 015 8704	TR 2SC2812-L6-TA
			Q3861	405 109 4407	TR BC848-B
				405 015 8704	TR 2SC2812-L6-TA
			Q3870	405 015 9701	TR 2SC2814-F4-TA
				405 015 9909	TR 2SC2814-F5-TA
			Q3871	405 109 4407	TR BC848-B
				405 015 8704	TR 2SC2812-L6-TA
			Q3872	405 109 4407	TR BC848-B
				405 015 8704	TR 2SC2812-L6-TA
CAPACITOR			INTEGRATED CIRCUIT		
C701	403 073 2910	CERAMIC 390P K 50V	IC3851	409 330 9903	IC TDA3866/V1
C711	403 073 2910	CERAMIC 390P K 50V	IC3852	409 310 8407	IC LA7577N
C721	403 073 2910	CERAMIC 390P K 50V	CAPACITOR		
C731	403 077 2728	CERAMIC 1000P P 2K	C3851	403 069 9500	CERAMIC 0.01U Z 50V
C735	403 055 8401	ELECT 22U M 250V	C3852	403 069 9500	CERAMIC 0.01U Z 50V
	403 260 0405	ELECT 22U M 250V	C3853	403 069 9500	CERAMIC 0.01U Z 50V
C751	403 248 1608	ELECT 47U M 16V	C3854	403 069 9500	CERAMIC 0.01U Z 50V
RESISTOR					
R701	401 026 3925	CARBON 330 JA 1/6W			
R702	401 026 7022	CARBON 3K9 JA 1/6W			
R703	401 025 4220	CARBON 1K8 JA 1/6W			
△ R704	401 065 4604	OXIDE-MT 12K JA 2W			
R705	401 009 6622	CARBON 3.3K JA 1/2W			
R711	401 026 3925	CARBON 330 JA 1/6W			
R712	401 026 7022	CARBON 3K9 JA 1/6W			
R713	401 026 1020	CARBON 2K7 JA 1/6W			
△ R714	401 065 4604	OXIDE-MT 12K JA 2W			
R715	401 009 6622	CARBON 3.3K JA 1/2W			

Ref. No.	Part No.	Description	Ref. No.	Part No.	Description
C3855	403 069 9500	CERAMIC 0.01U Z 50V	K38H2	610 221 3652	TERMINAL
C3856	403 069 9500	CERAMIC 0.01U Z 50V	X3851	421 005 6703	SAW F TSB6311U
C3857	403 046 9905	ELECT 4.7U M 25V	X3852	645 003 2806	CERAMIC FILTER
C3858	403 049 9803	ELECT 2.2U M 50V	X3853	645 006 3022	CERAMIC FILTER 5.742MHZ
C3859	403 013 3004	CERAMIC 150P J 50V	X3871	421 006 0809	SAW F TSF5365P
C3861	403 013 3004	CERAMIC 150P J 50V	X3872	421 005 1708	SAW F TSB5310U
C3862	403 049 9803	ELECT 2.2U M 50V	1AA0B10E3250B ASSY,PWB,AUDIO F3SL		
C3863	403 049 9803	ELECT 2.2U M 50V	TRANSISTOR		
C3864	403 049 9803	ELECT 2.2U M 50V	Q1251	405 109 4407	TR BC848-B
C3865	403 069 9500	CERAMIC 0.01U Z 50V		405 015 8704	TR 2SC2812-L6-TA
C3866	403 042 8308	ELECT 22U M 16V	Q1252	405 109 4407	TR BC848-B
C3867	403 041 9405	ELECT 10U M 16V		405 015 8704	TR 2SC2812-L6-TA
C3872	403 023 4404	CERAMIC 330P J 50V	Q3411	405 109 4407	TR BC848-B
C3873	403 069 9500	CERAMIC 0.01U Z 50V		405 015 8704	TR 2SC2812-L6-TA
C3875	403 069 9500	CERAMIC 0.01U Z 50V	Q3412	405 109 4407	TR BC848-B
C3876A	403 270 4202	MT-POLYEST 0.068U K 63V		405 015 8704	TR 2SC2812-L6-TA
	403 249 9405	MT-COMPO 0.068U J 50V	Q3431	405 109 4407	TR BC848-B
C3877	403 046 9905	ELECT 4.7U M 25V		405 015 8704	TR 2SC2812-L6-TA
C3878	403 018 0503	CERAMIC 22P J 50V	Q3432	405 109 4407	TR BC848-B
C3879	403 048 6308	ELECT 0.47U M 50V		405 015 8704	TR 2SC2812-L6-TA
C3880	403 074 6600	CERAMIC 560P K 50V	Q3481	405 109 4407	TR BC848-B
C3881	403 069 1702	CERAMIC 1000P K 50V		405 015 8704	TR 2SC2812-L6-TA
C3883	403 069 9500	CERAMIC 0.01U Z 50V	Q3482	405 109 4407	TR BC848-B
C3884	403 046 9905	ELECT 4.7U M 25V		405 015 8704	TR 2SC2812-L6-TA
RESISTOR			Q3483	405 109 4407	TR BC848-B
R3851	401 037 5202	MT-GLAZE 100 JA 1/10W		405 015 8704	TR 2SC2812-L6-TA
R3852	401 038 7700	MT-GLAZE 5.6K JA 1/10W	Q3484	405 109 4407	TR BC848-B
R3853	401 037 5400	MT-GLAZE 1K JA 1/10W		405 015 8704	TR 2SC2812-L6-TA
R3854	401 038 3504	MT-GLAZE 330 JA 1/10W	INTEGRATED CIRCUIT		
R3855	401 037 5202	MT-GLAZE 100 JA 1/10W	IC1251	409 009 2501	IC HD14052BP
R3856	401 038 9209	MT-GLAZE 6.8K JA 1/10W		409 120 7607	IC MN4052B
R3857	401 038 0701	MT-GLAZE 2.2K JA 1/10W		409 051 2801	IC TC4052BP
R3858	401 037 5608	MT-GLAZE 10K JA 1/10W		409 059 2209	IC UPD4052BC
R3859	401 037 5608	MT-GLAZE 10K JA 1/10W	IC3401	409 371 6206	IC TDA9840/V2
R3861	401 037 5608	MT-GLAZE 10K JA 1/10W		409 316 4601	IC TDA8424
R3862	401 037 5608	MT-GLAZE 10K JA 1/10W	IC3451	409 404 3707	IC SAA7283ZP/M2
R3863	401 038 2101	MT-GLAZE 2.7K JA 1/10W	CAPACITOR		
R3864	401 038 2101	MT-GLAZE 2.7K JA 1/10W	C1251	403 041 8804	ELECT 10U M 16V
R3865	401 038 7601	MT-GLAZE 560 JA 1/10W	C3401	403 041 8804	ELECT 10U M 16V
R3866	401 038 7601	MT-GLAZE 560 JA 1/10W	C3402	403 069 5601	CERAMIC 0.01U K 50V
R3867	401 038 6505	MT-GLAZE 47K JA 1/10W	C3403	403 068 0409	CERAMIC 0.1U Z 25V
R3870	401 038 3504	MT-GLAZE 330 JA 1/10W		403 070 2606	CERAMIC 0.1U Z 50V
R3872	401 037 5608	MT-GLAZE 10K JA 1/10W	C3404	403 310 5008	CERAMIC 3300P G 25V
R3873	401 038 6505	MT-GLAZE 47K JA 1/10W	C3405	403 042 2405	ELECT 100U M 16V
R3874	401 038 6208	MT-GLAZE 47 JA 1/10W	C3407	403 026 2803	CERAMIC 47P J 50V
R3875	401 038 6208	MT-GLAZE 47 JA 1/10W	C3408	403 049 9803	ELECT 2.2U M 50V
R3876	401 037 6704	MT-GLAZE 1.2K JA 1/10W	C3409	403 049 9803	ELECT 2.2U M 50V
R3877	401 038 7502	MT-GLAZE 56 JA 1/10W	C3411	403 069 5601	CERAMIC 0.01U K 50V
R3878	401 037 5608	MT-GLAZE 10K JA 1/10W	C3412	403 069 5601	CERAMIC 0.01U K 50V
R3879	401 038 9001	MT-GLAZE 680 JA 1/10W	C3413	403 068 0409	CERAMIC 0.1U Z 25V
TRANSFORMER				403 070 2606	CERAMIC 0.1U Z 50V
T3851	610 037 5512	S COIL	C3414	403 068 0409	CERAMIC 0.1U Z 25V
T3852	610 037 5512	S COIL		403 070 2606	CERAMIC 0.1U Z 50V
T3853	610 037 4539	S COIL	C3415	403 069 9500	CERAMIC 0.01U Z 50V
DIODE			C3421	403 069 9500	CERAMIC 0.01U Z 50V
D3851	407 166 1108	DIODE 1SS356-TW11	C3422	403 041 8804	ELECT 10U M 16V
D3852	407 166 1108	DIODE 1SS356-TW11	C3431	403 049 0008	ELECT 1U M 50V
MISCELLANEOUS			C3432	403 042 2405	ELECT 100U M 16V
K38H1	610 221 3713	TERMINAL 5P	C3433	403 049 0008	ELECT 1U M 50V

Ref. No.	Part No.	Description	Ref. No.	Part No.	Description
C3434	403 068 0409	CERAMIC 0.1U Z 25V	R3412	401 038 0800	MT-GLAZE 22K JA 1/10W
	403 070 2606	CERAMIC 0.1U Z 50V	R3431	401 037 5202	MT-GLAZE 100 JA 1/10W
C3435	403 068 3202	CERAMIC 0.033U K 25V	R3432	401 037 5202	MT-GLAZE 100 JA 1/10W
	403 073 1200	CERAMIC 0.033U K 50V	R3433	401 037 5202	MT-GLAZE 100 JA 1/10W
C3436	403 074 7607	CERAMIC 5600P K 50V	R3434	401 037 7909	MT-GLAZE 1.5K JA 1/10W
C3437	403 074 7607	CERAMIC 5600P K 50V	R3435	401 037 5202	MT-GLAZE 100 JA 1/10W
C3438	403 068 3202	CERAMIC 0.033U K 25V	R3436	401 037 7909	MT-GLAZE 1.5K JA 1/10W
	403 073 1200	CERAMIC 0.033U K 50V	R3451	401 025 7102	CARBON 22 JA 1/6W
C3456	403 069 9500	CERAMIC 0.01U Z 50V	R3461	401 037 5400	MT-GLAZE 1K JA 1/10W
C3458	403 073 3501	CERAMIC 390P K 50V	R3462	401 037 5202	MT-GLAZE 100 JA 1/10W
C3459	403 069 8305	CERAMIC 0.01U Z 50V	R3463	401 037 5608	MT-GLAZE 10K JA 1/10W
C3460	403 069 9500	CERAMIC 0.01U Z 50V	R3464	401 038 6505	MT-GLAZE 47K JA 1/10W
C3461	403 069 9500	CERAMIC 0.01U Z 50V	R3465	401 037 5806	MT-GLAZE 1M JA 1/10W
C3462	403 041 8804	ELECT 10U M 16V	R3466	401 037 5608	MT-GLAZE 10K JA 1/10W
C3463	403 008 7406	CERAMIC 10P D 50V	R3467	401 038 9407	MT-GLAZE 680K JA 1/10W
C3464	403 041 8804	ELECT 10U M 16V	R3468	401 037 9200	MT-GLAZE 1.8K JA 1/10W
C3465	403 018 7403	CERAMIC 220P J 50V	R3469	401 038 3702	MT-GLAZE 33K JA 1/10W
C3466	403 069 9500	CERAMIC 0.01U Z 50V	R3471	401 037 5202	MT-GLAZE 100 JA 1/10W
C3467	403 041 8804	ELECT 10U M 16V	R3472	401 037 5202	MT-GLAZE 100 JA 1/10W
C3468	403 069 9500	CERAMIC 0.01U Z 50V	R3473	401 038 3603	MT-GLAZE 3.3K JA 1/10W
C3469	403 049 0008	ELECT 1U M 50V	R3474	401 038 7700	MT-GLAZE 5.6K JA 1/10W
C3471	403 069 9500	CERAMIC 0.01U Z 50V	R3475	401 038 7700	MT-GLAZE 5.6K JA 1/10W
C3472	403 041 8804	ELECT 10U M 16V	R3476	401 038 3603	MT-GLAZE 3.3K JA 1/10W
C3473	403 072 1607	CERAMIC 0.022U K 50V	R3477	401 038 3603	MT-GLAZE 3.3K JA 1/10W
C3474	403 192 5905	CERAMIC 0.1U K 25V	R3478	401 038 3603	MT-GLAZE 3.3K JA 1/10W
	403 070 0909	CERAMIC 0.1U K 50V	R3479	401 038 3603	MT-GLAZE 3.3K JA 1/10W
C3475	403 026 2803	CERAMIC 47P J 50V	R3480	401 038 3603	MT-GLAZE 3.3K JA 1/10W
C3476	403 026 2803	CERAMIC 47P J 50V	R3481	401 038 0701	MT-GLAZE 2.2K JA 1/10W
C3477	403 069 9500	CERAMIC 0.01U Z 50V	R3482	401 038 0701	MT-GLAZE 2.2K JA 1/10W
C3478	403 048 6308	ELECT 0.47U M 50V			
C3480	403 192 5905	CERAMIC 0.1U K 25V	TRANSFORMER		
	403 070 0909	CERAMIC 0.1U K 50V	T3401	645 015 7943	COIL,FERRITE 2.5M
C3481	403 069 9500	CERAMIC 0.01U Z 50V			
C3482	403 043 9106	ELECT 47U M 16V	COIL		
C3483	403 069 9500	CERAMIC 0.01U Z 50V	L3401	645 001 4758	INDUCTOR,100U K
C3484	403 043 9106	ELECT 47U M 16V	L3451	645 018 9999	INDUCTOR,120 OHM
C3485	403 049 0008	ELECT 1U M 50V	L3452	645 008 2221	INDUCTOR,2.2U K
C3486	403 049 0008	ELECT 1U M 50V	L3454	645 008 2221	INDUCTOR,2.2U K
C3487	403 069 9500	CERAMIC 0.01U Z 50V	L3455	645 008 2221	INDUCTOR,2.2U K
C3488	403 043 9106	ELECT 47U M 16V	L3461	645 008 1996	INDUCTOR,10U J
C3490	403 009 5708	CERAMIC 100P J 50V			
C3491	403 130 3604	CERAMIC 0.047U K 25V	DIODE		
	403 130 3109	CERAMIC 0.047U K 50V	D3461	407 169 7909	VARACTOR DI BBY31
C3492	403 041 8804	ELECT 10U M 16V	D3462	407 004 8009	DIODE DSB015-TA
C3493	403 069 9500	CERAMIC 0.01U Z 50V			
C3494	403 043 9106	ELECT 47U M 16V	MISCELLANEOUS		
RESISTOR			K12A	645 004 2881	PLUG,2P
R1251	401 038 2101	MT-GLAZE 2.7K JA 1/10W	K12B	645 004 2911	PLUG,5P
R1252	401 038 9209	MT-GLAZE 6.8K JA 1/10W	K34A	645 008 3341	PLUG,10P
R1253	401 039 0502	MT-GLAZE 82K JA 1/10W	K34B	645 008 3341	PLUG,10P
R1254	401 039 0502	MT-GLAZE 82K JA 1/10W	X3401	645 018 6875	OSC,CRYSTAL 10MHZ
R1257	401 038 6307	MT-GLAZE 470 JA 1/10W		645 016 6662	OSC,CRYSTAL 10MHZ
R1258	401 038 0701	MT-GLAZE 2.2K JA 1/10W	X3461	645 007 7449	OSC,CRYSTAL 8.192MHZ
R1262	401 039 0502	MT-GLAZE 82K JA 1/10W			
R1264	401 039 0502	MT-GLAZE 82K JA 1/10W			
R1265	401 038 6307	MT-GLAZE 470 JA 1/10W			
R1266	401 038 0701	MT-GLAZE 2.2K JA 1/10W			
R3401	401 037 5202	MT-GLAZE 100 JA 1/10W			
R3402	401 037 5202	MT-GLAZE 100 JA 1/10W			
R3403	401 038 3108	MT-GLAZE 30K JA 1/10W			
R3410	401 038 0909	MT-GLAZE 220K JA 1/10W			
R3411	401 038 0800	MT-GLAZE 22K JA 1/10W			

All information in this manual is correct at the start of production. Sanyo reserves the right to modify components and procedures in order to comply with their continuous improvement policy.

